

A	B	C (mm)	D	
1	S230-003	203	446	2/2
2	S230-103	1922	390	2/2
3	S230-104	1922	390	2/2
4	S230-105	398	370	1/2
5	S230-203	652	412	1/2
6	S230-204	652	412	1/2
7	S230-302	621	370	1/2
8	S230-303	620	355	1/2
9	S230-304	620	355	1/2
10	S230-307	621	370	1/2
11	S230-551	1010	445	2/2
12	S230-572	1942	100	2/2
13	S230-719	410	446	2/2
14	S230-7701	203	446	2/2
15	S230-9902	1932	631	2/2
16	WSP-970	423	358	1/2
17	WSQ4-505	350	140	1/2
18	WSQ4-506	350	140	1/2
19	WTQ-5072	413	127	1/2

10A6RR01

1x 4x

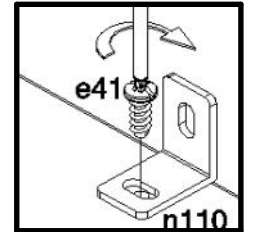
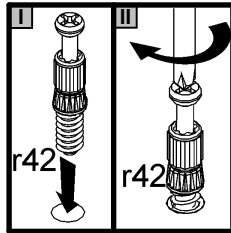
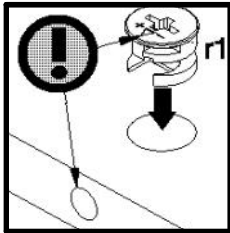
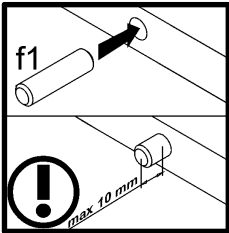
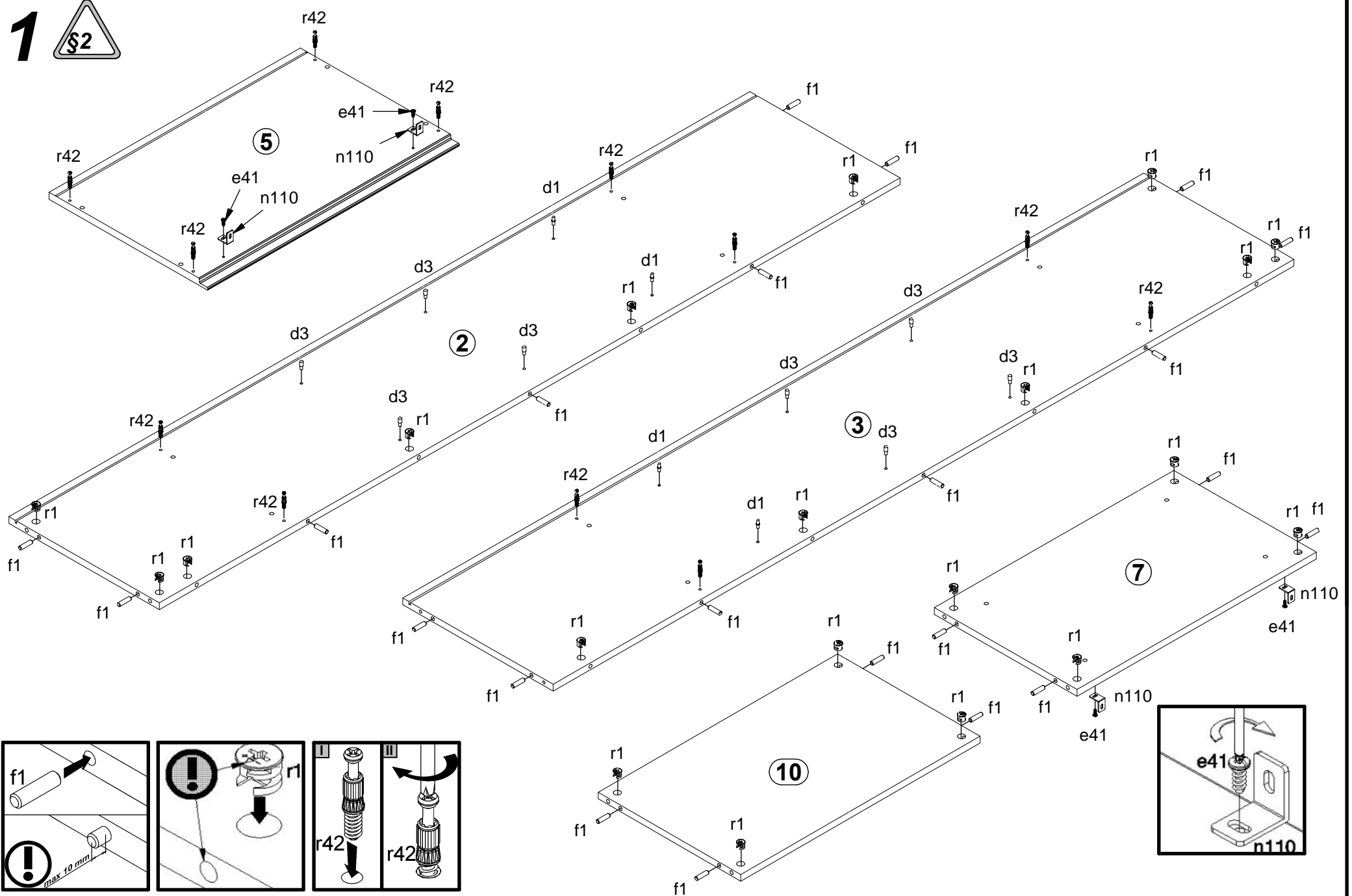
S230-REG1W2S/20/7

1x 2x

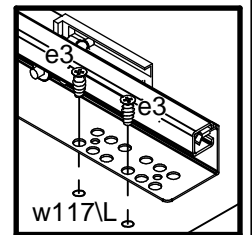
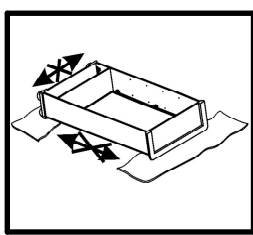
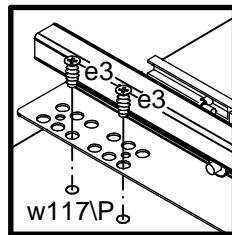
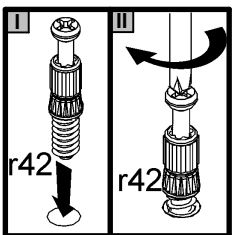
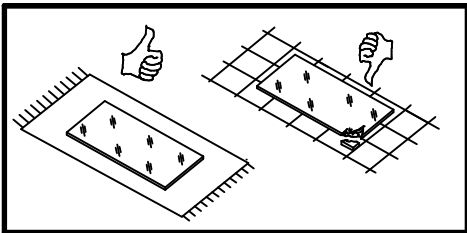
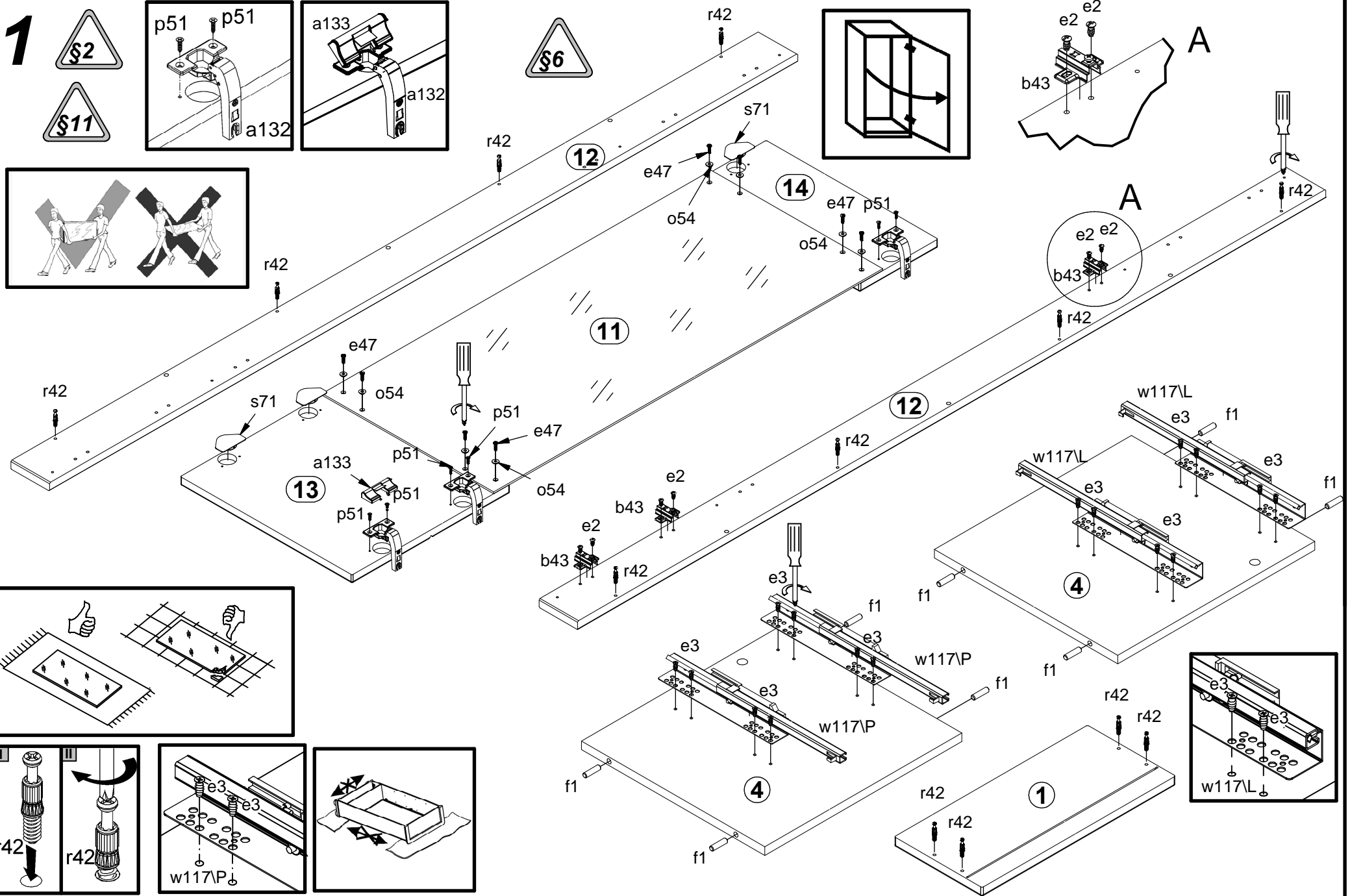
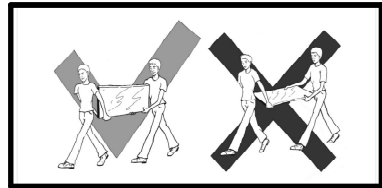
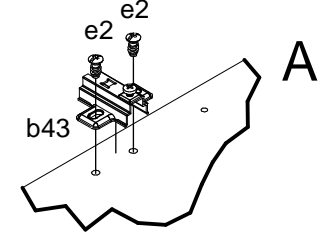
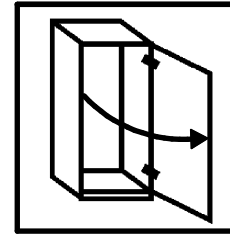
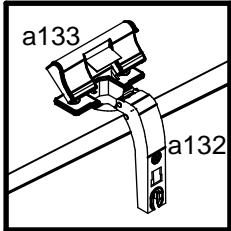
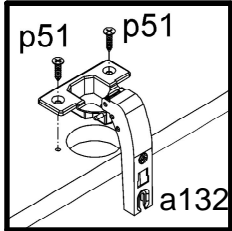


3x	1x	3x	4x	8x	4x	6x	16x	8x	8x	30x	8x	4x
15x	20x	4x	8x	8x	2x	2x	8x	6x	20x	8x	28x	3x
2x	2x	2x	14x	1x					1x	1x	1x	2x

1 §2

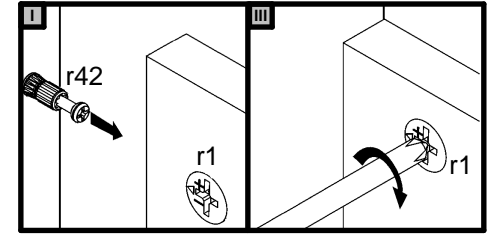


1

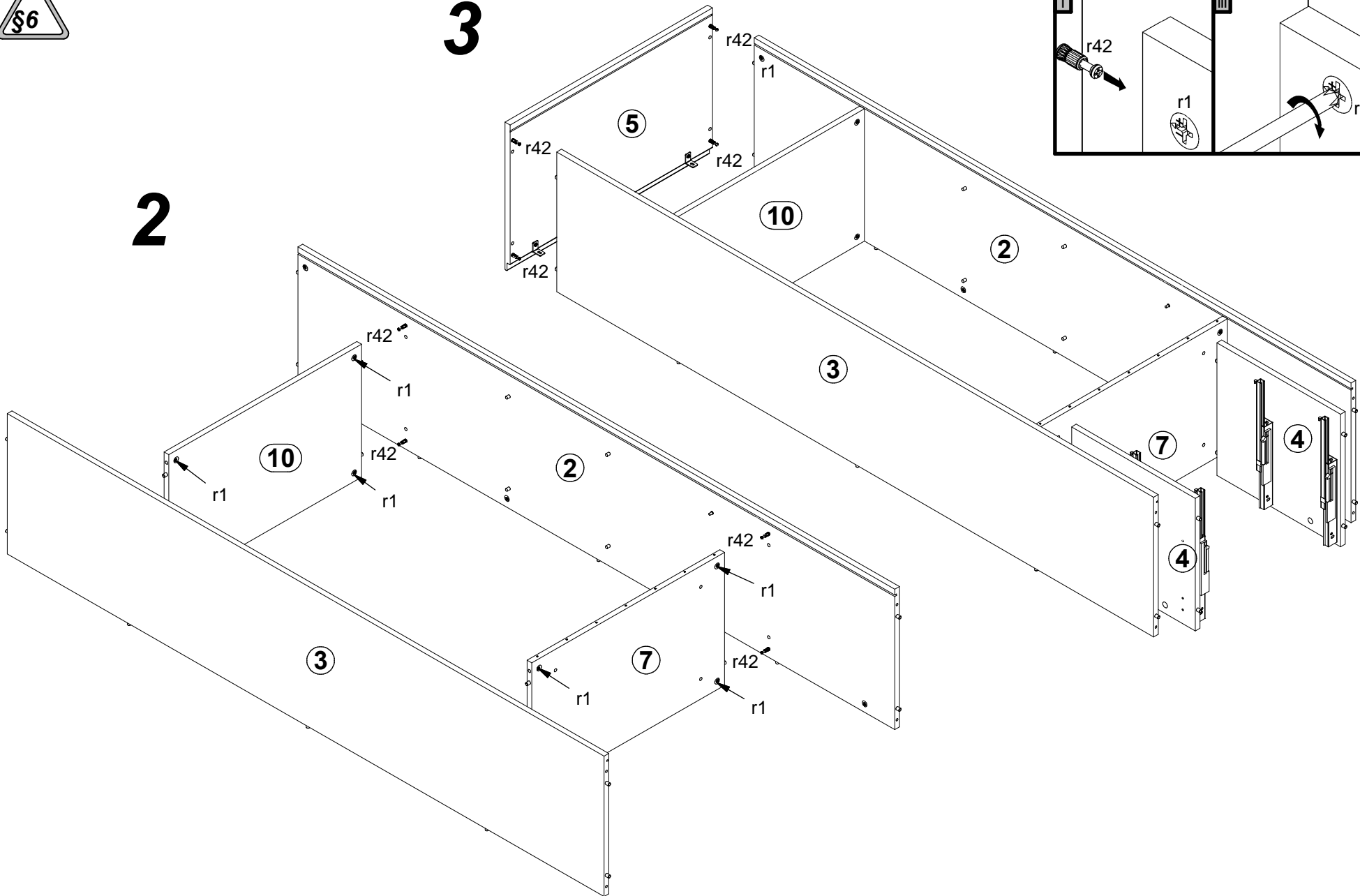




3



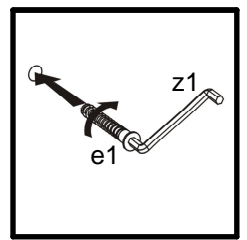
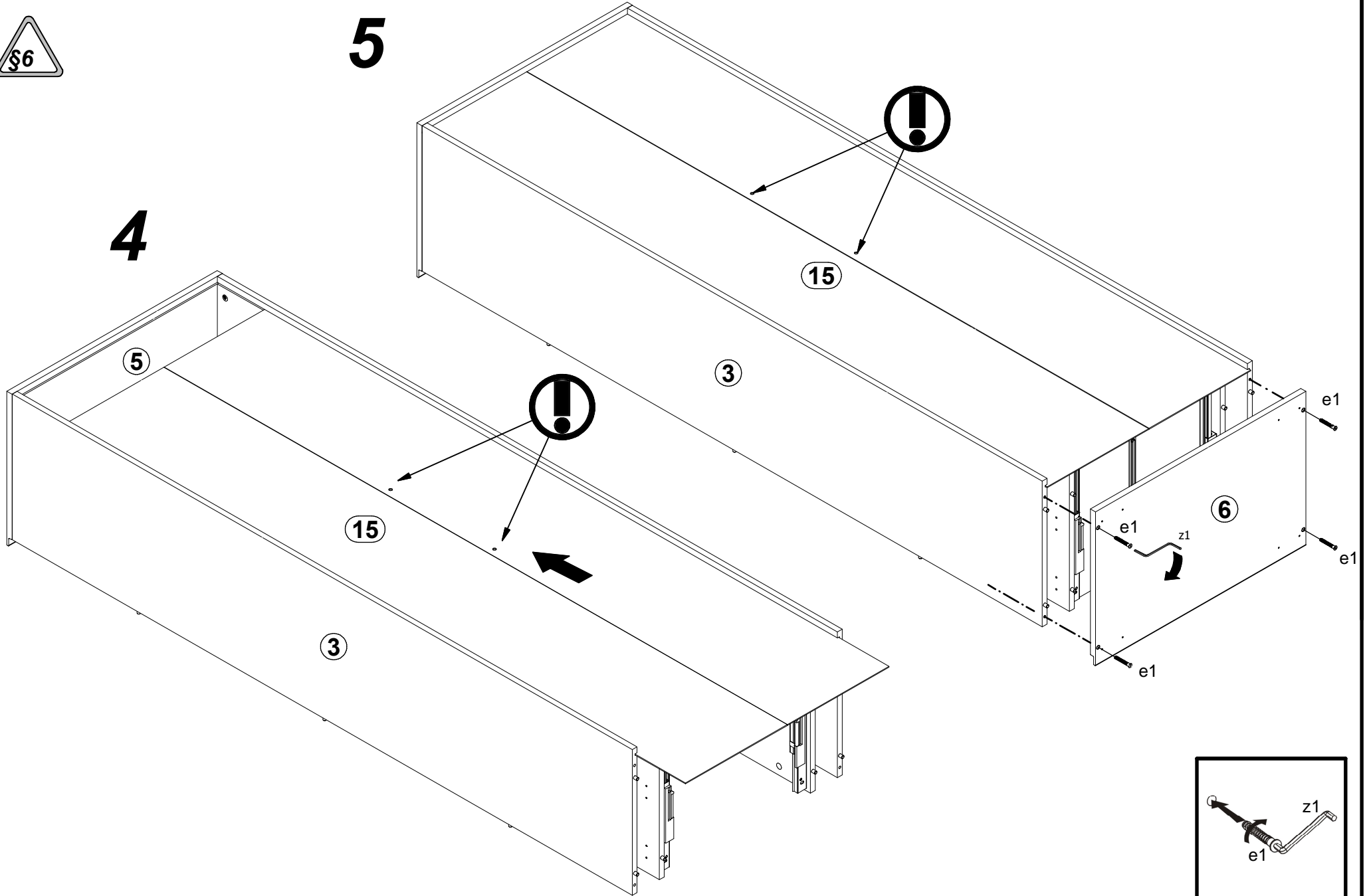
2

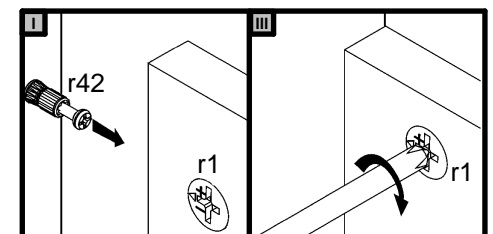
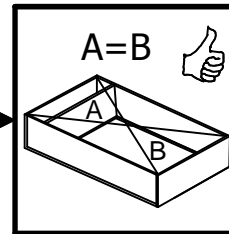
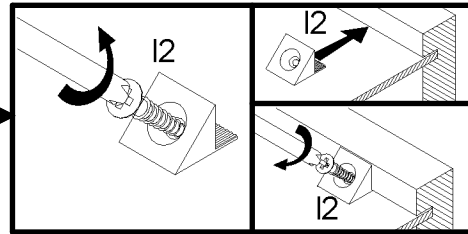
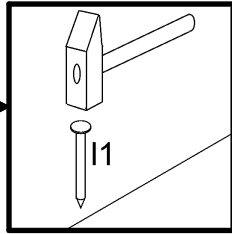
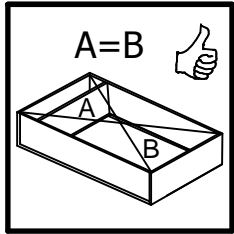




5

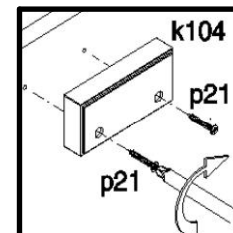
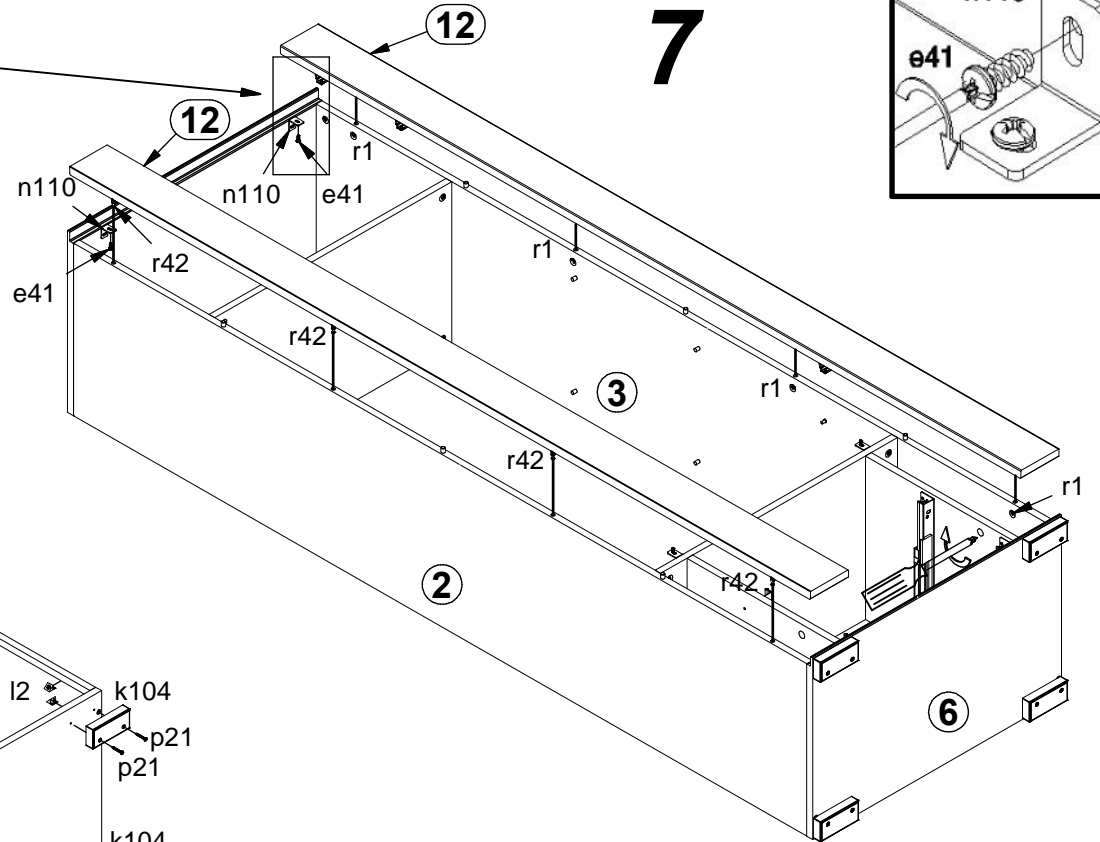
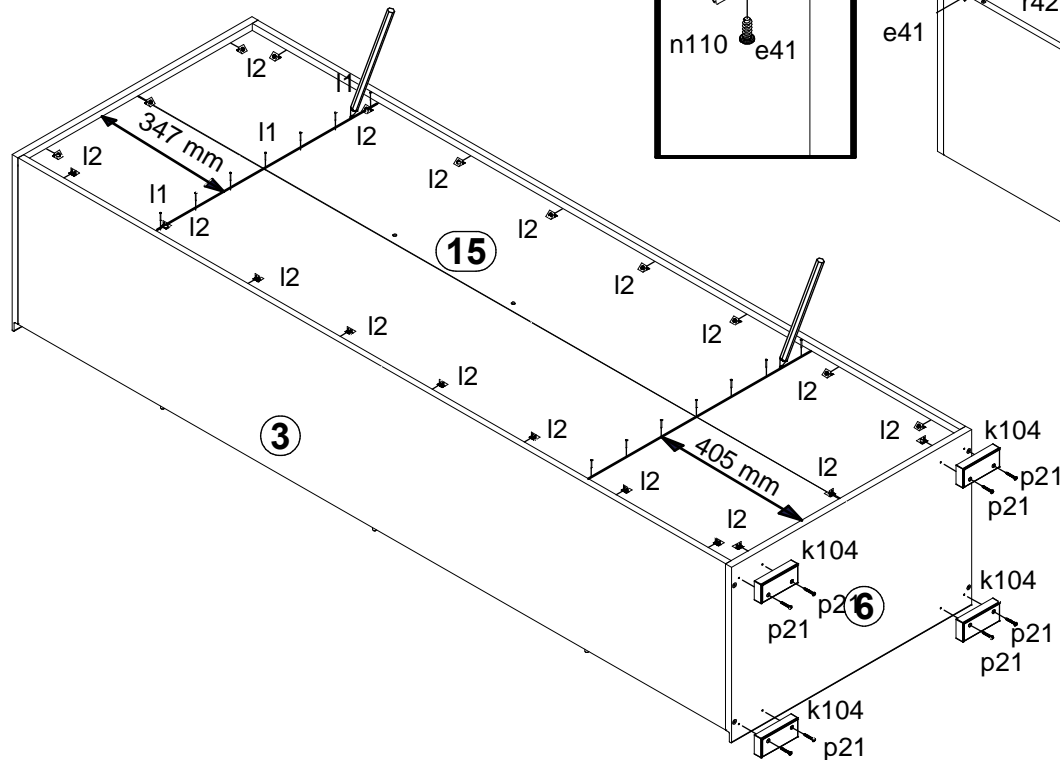
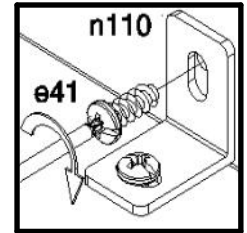
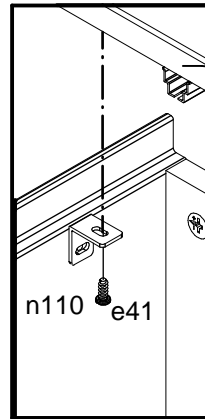
4



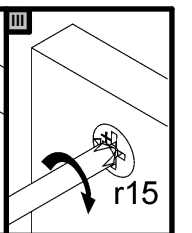
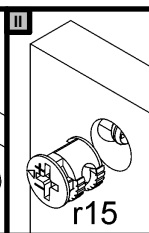
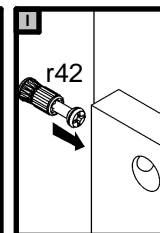
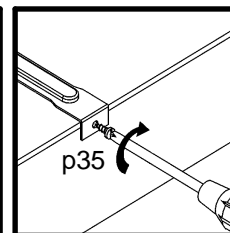
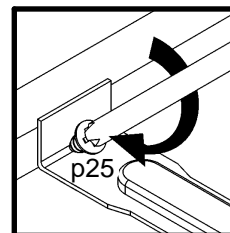
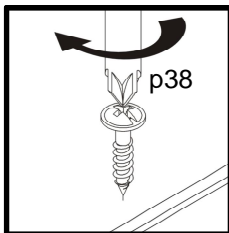
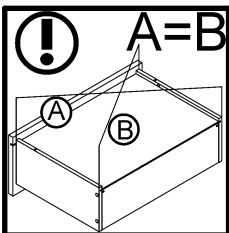
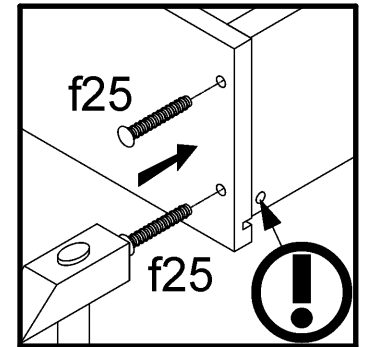
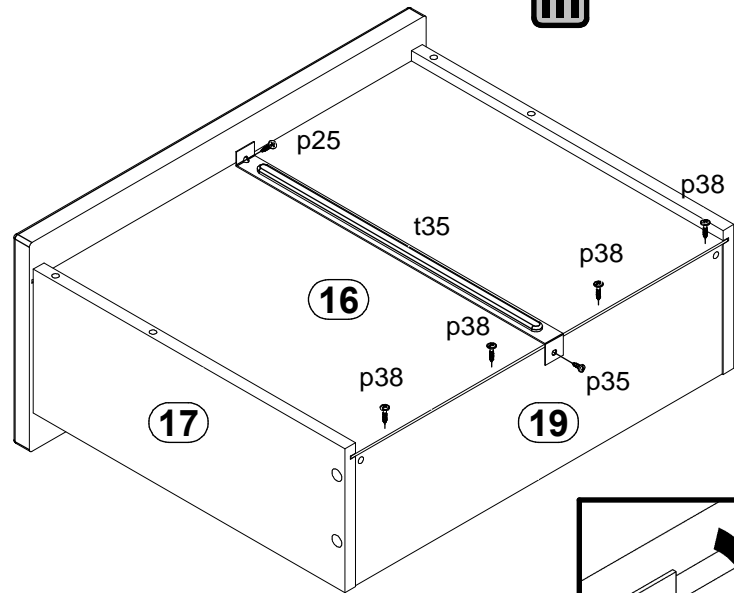
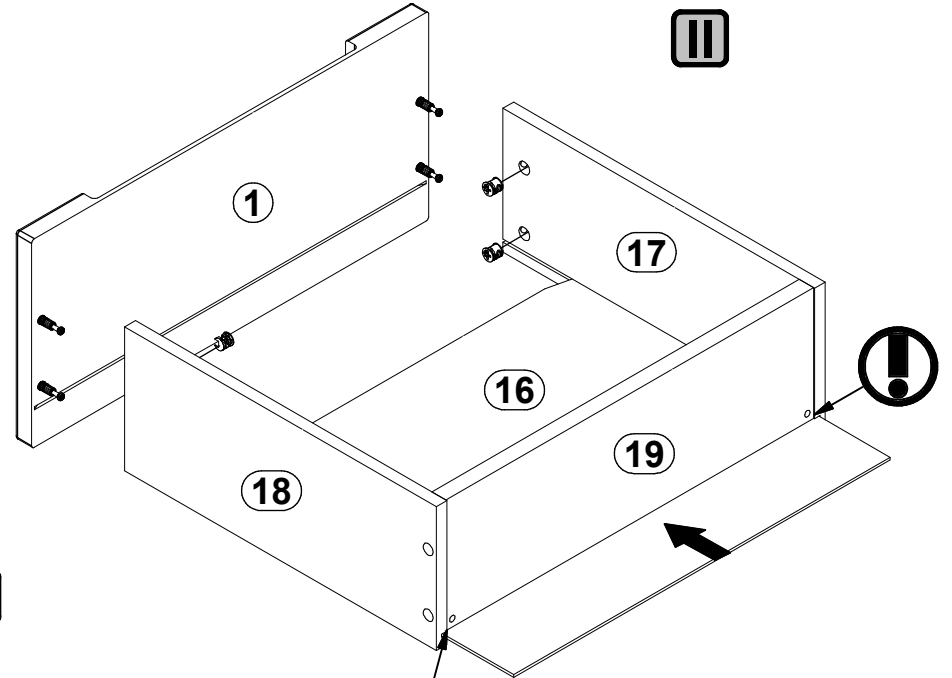
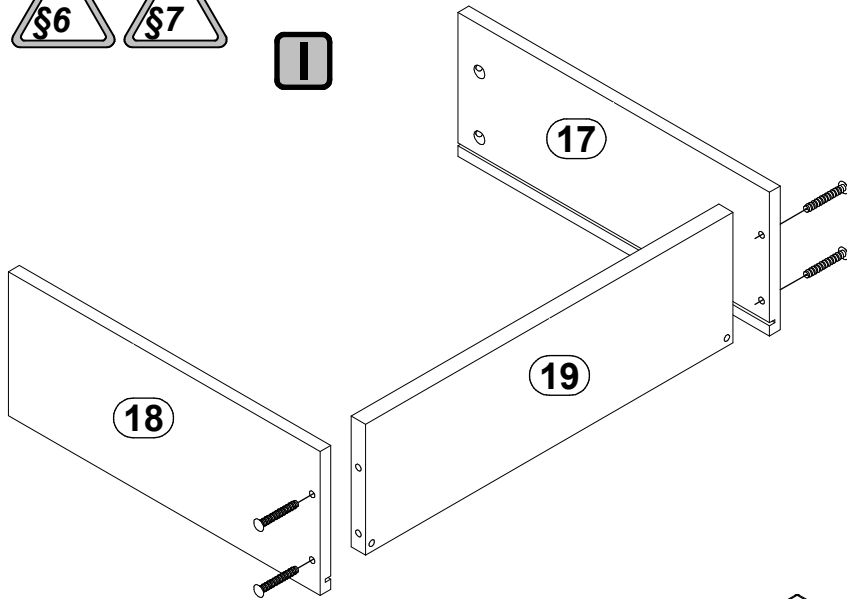


6

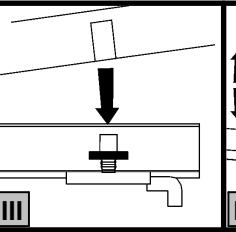
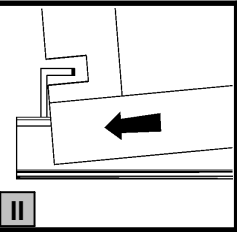
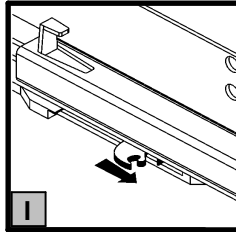
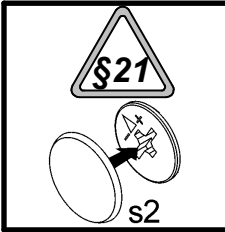
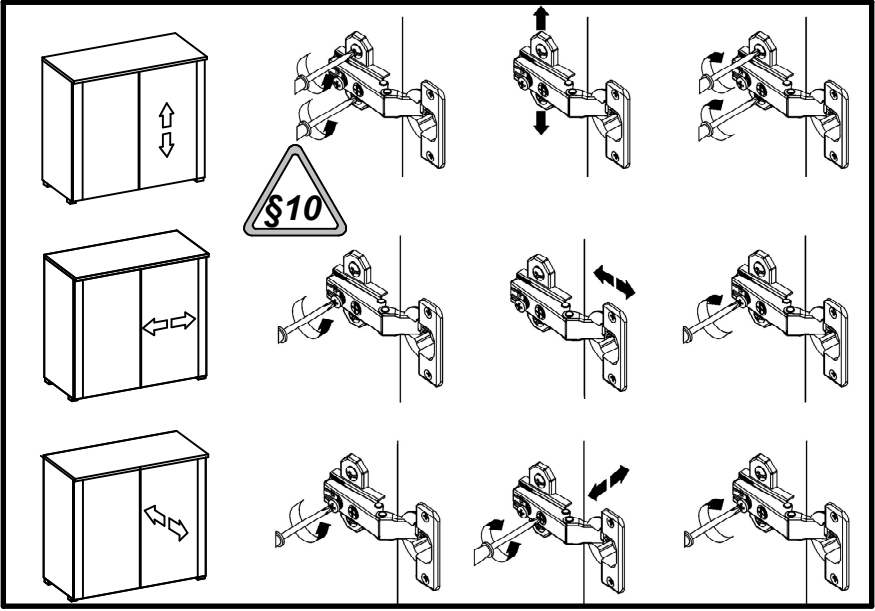
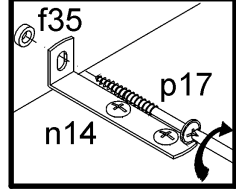
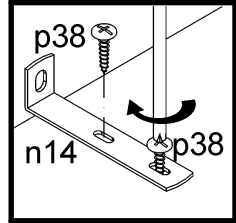
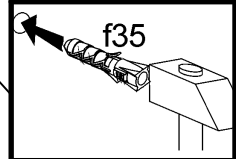
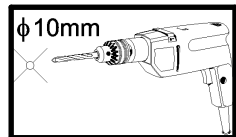
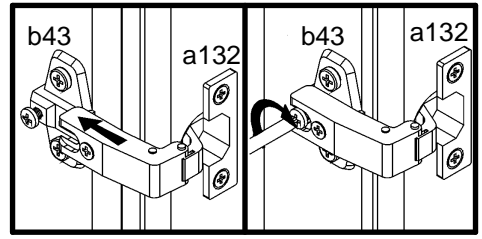
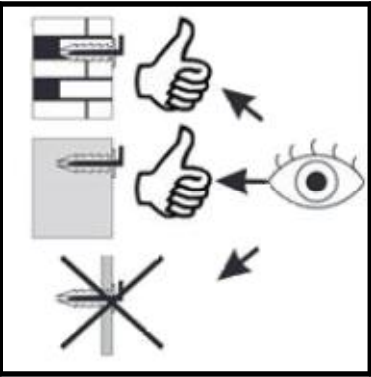
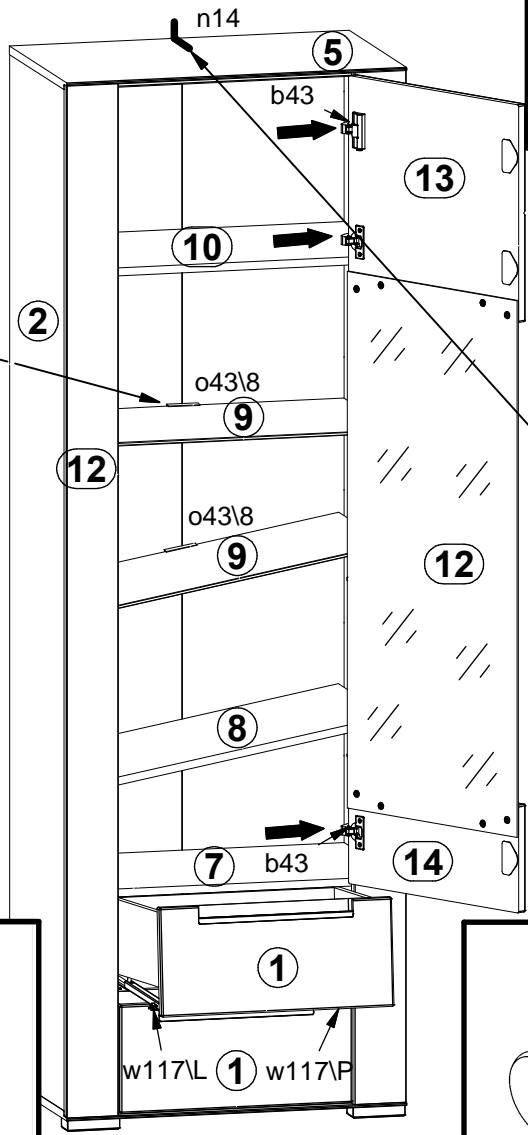
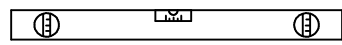
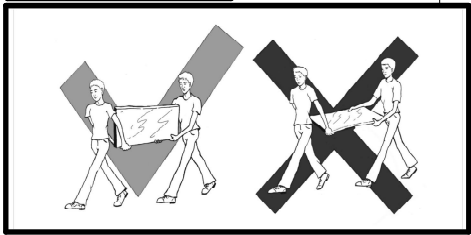
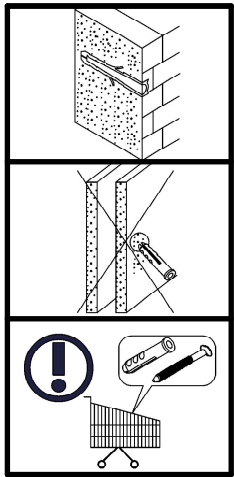
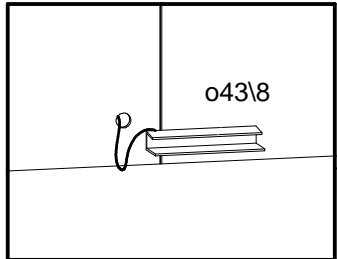
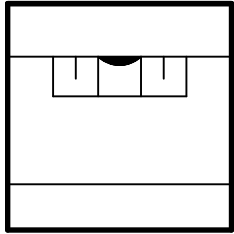
7

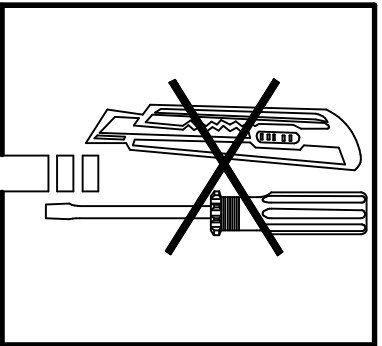
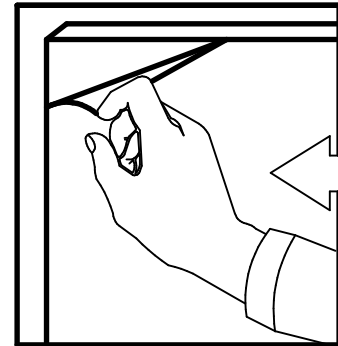
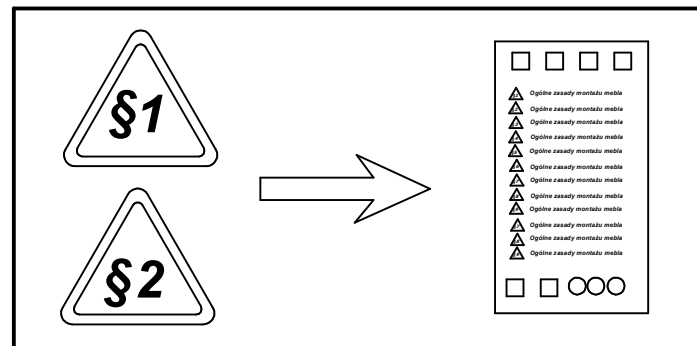
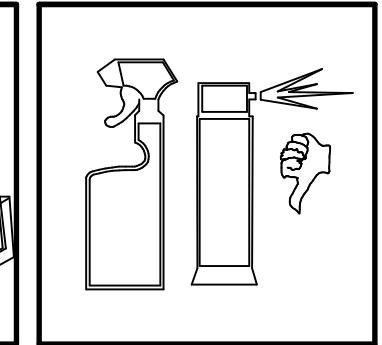
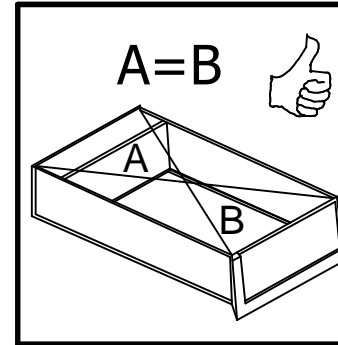
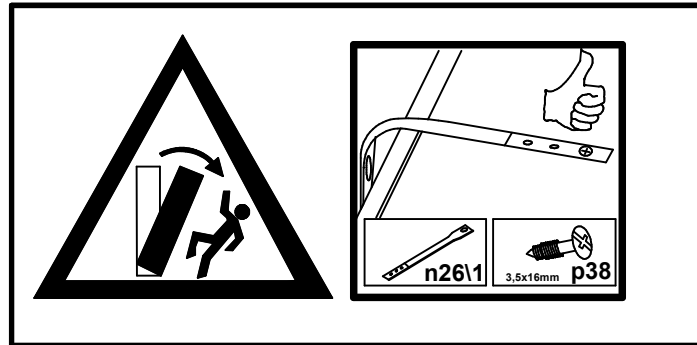
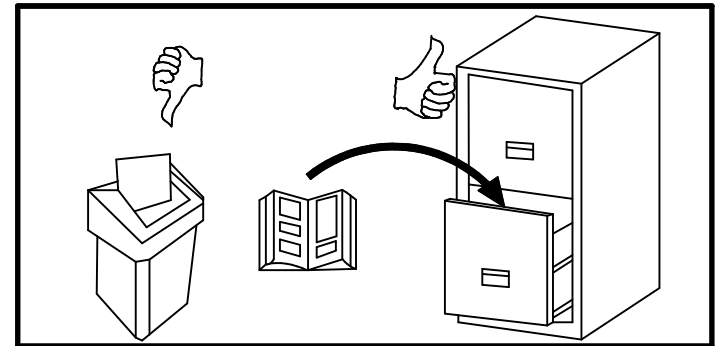
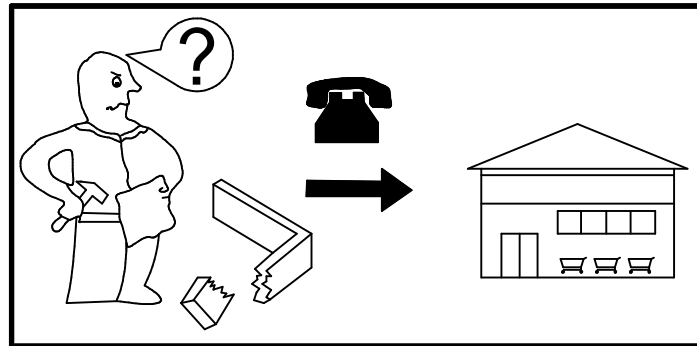
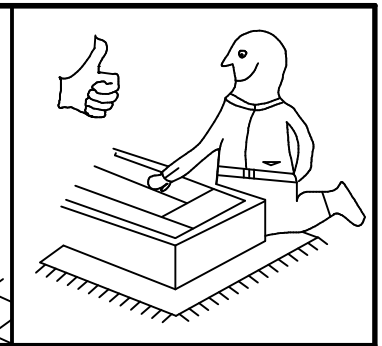
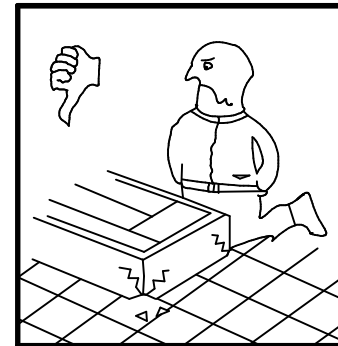
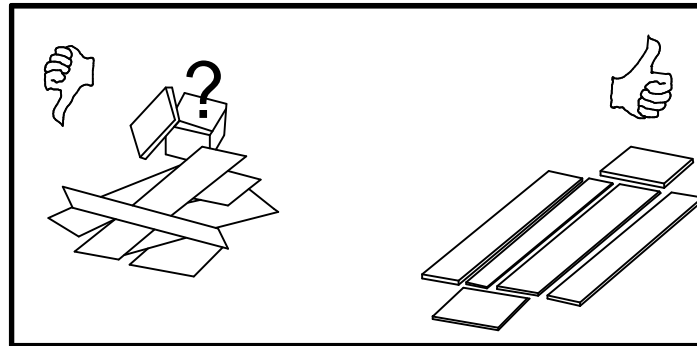
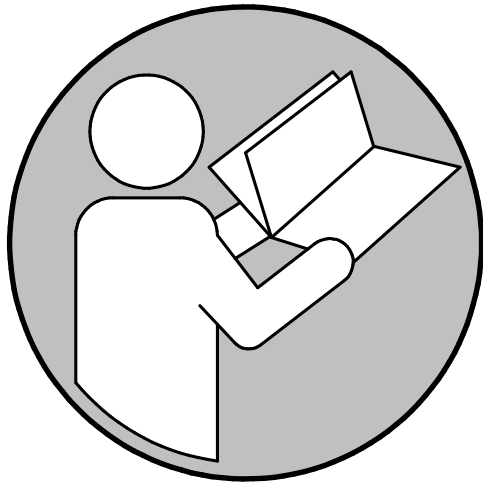


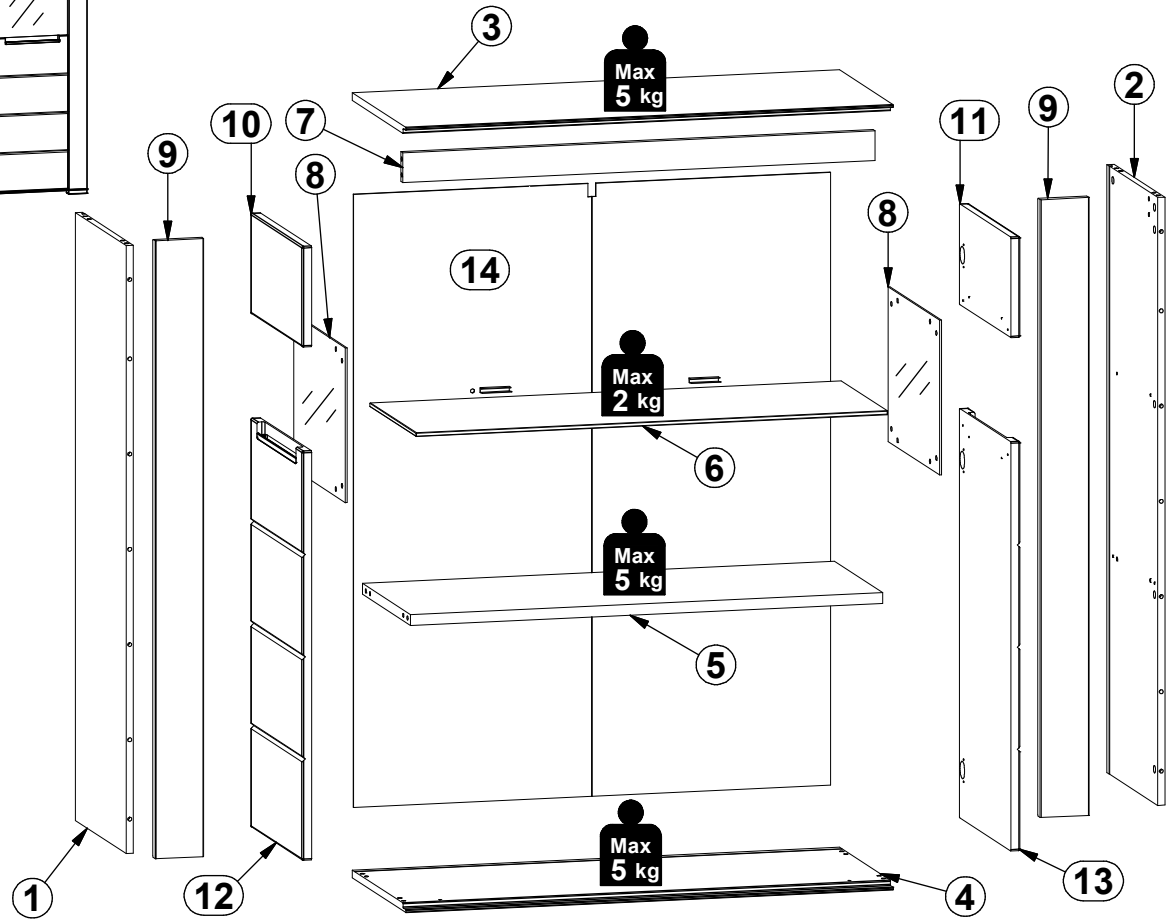
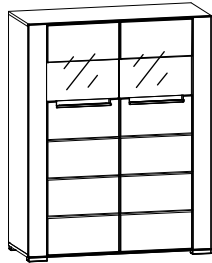
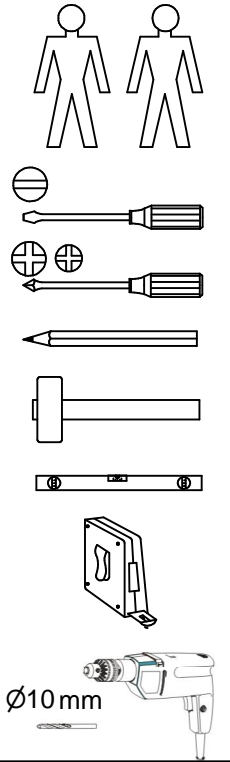
8



9

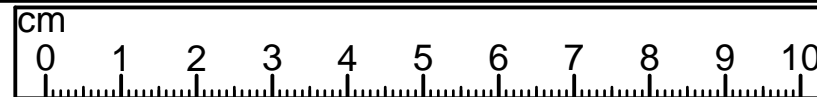






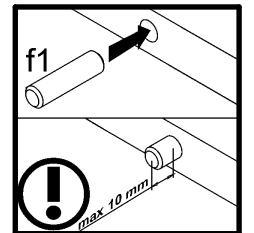
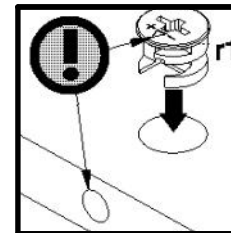
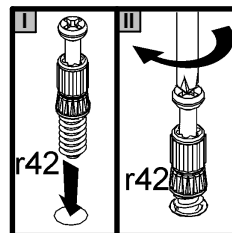
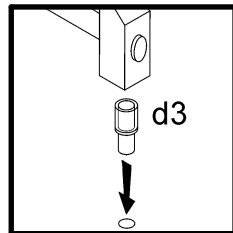
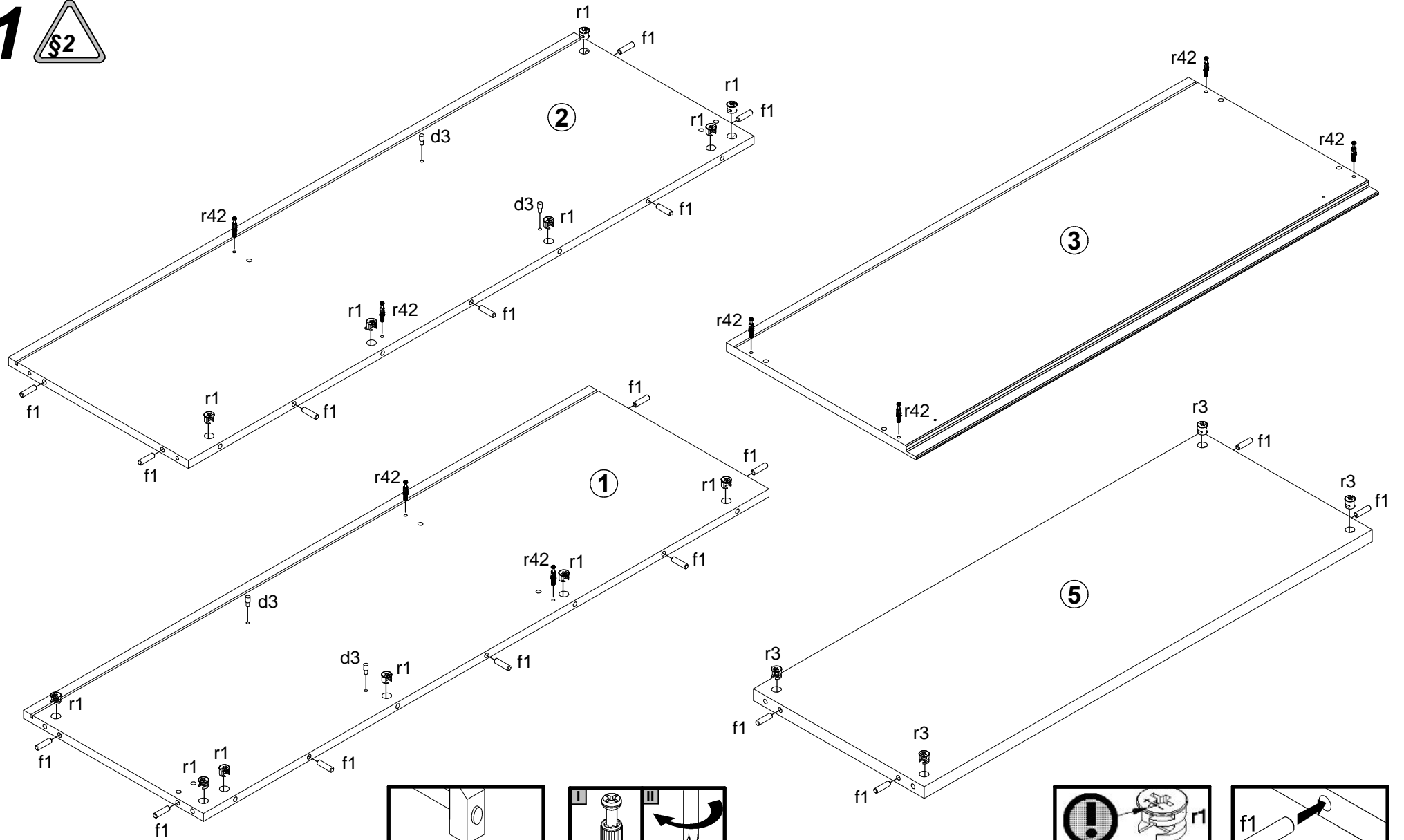
A	B	C (mm)	D
1	S230-115	1226	390
2	S230-116	1226	390
3	S230-211	1002	412
4	S230-212	1002	412
5	S230-308	971	370
6	S230-309	970	355
7	S230-404	971	60
8	S230-552	312	395
9	S230-575	1246	100
10	S230-711	203	396
11	S230-713	203	396
12	S230-7704	825	396
13	S230-7705	825	396
14	S230-9905	1236	981

S230-REG2W/13/10

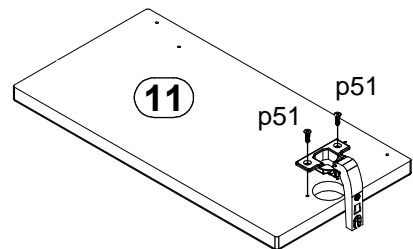
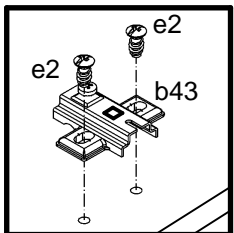
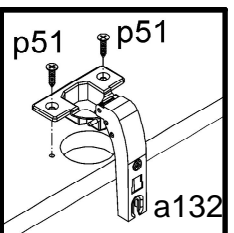
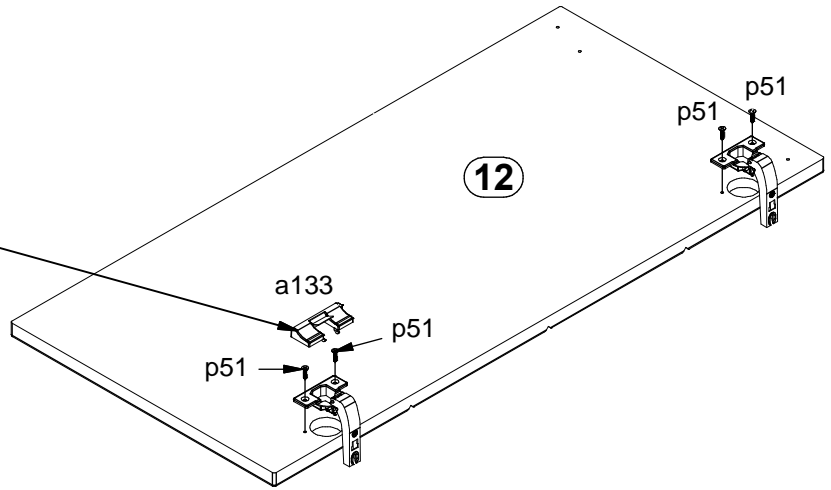
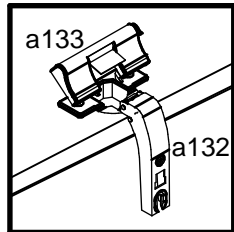
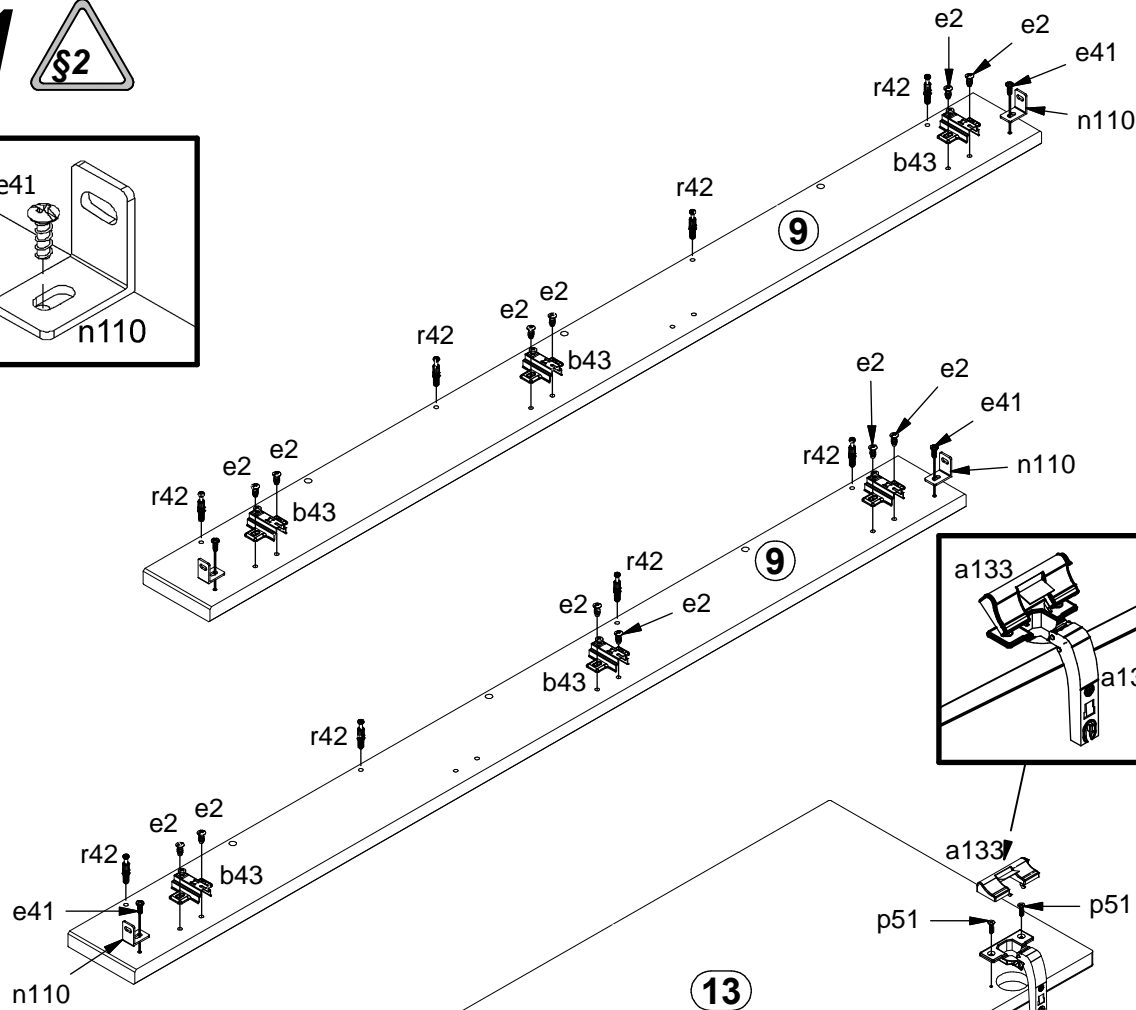
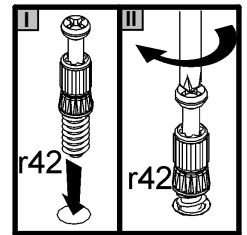
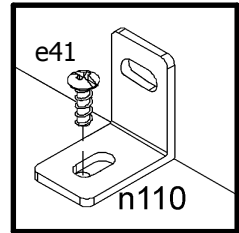


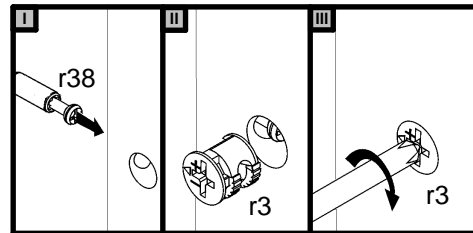
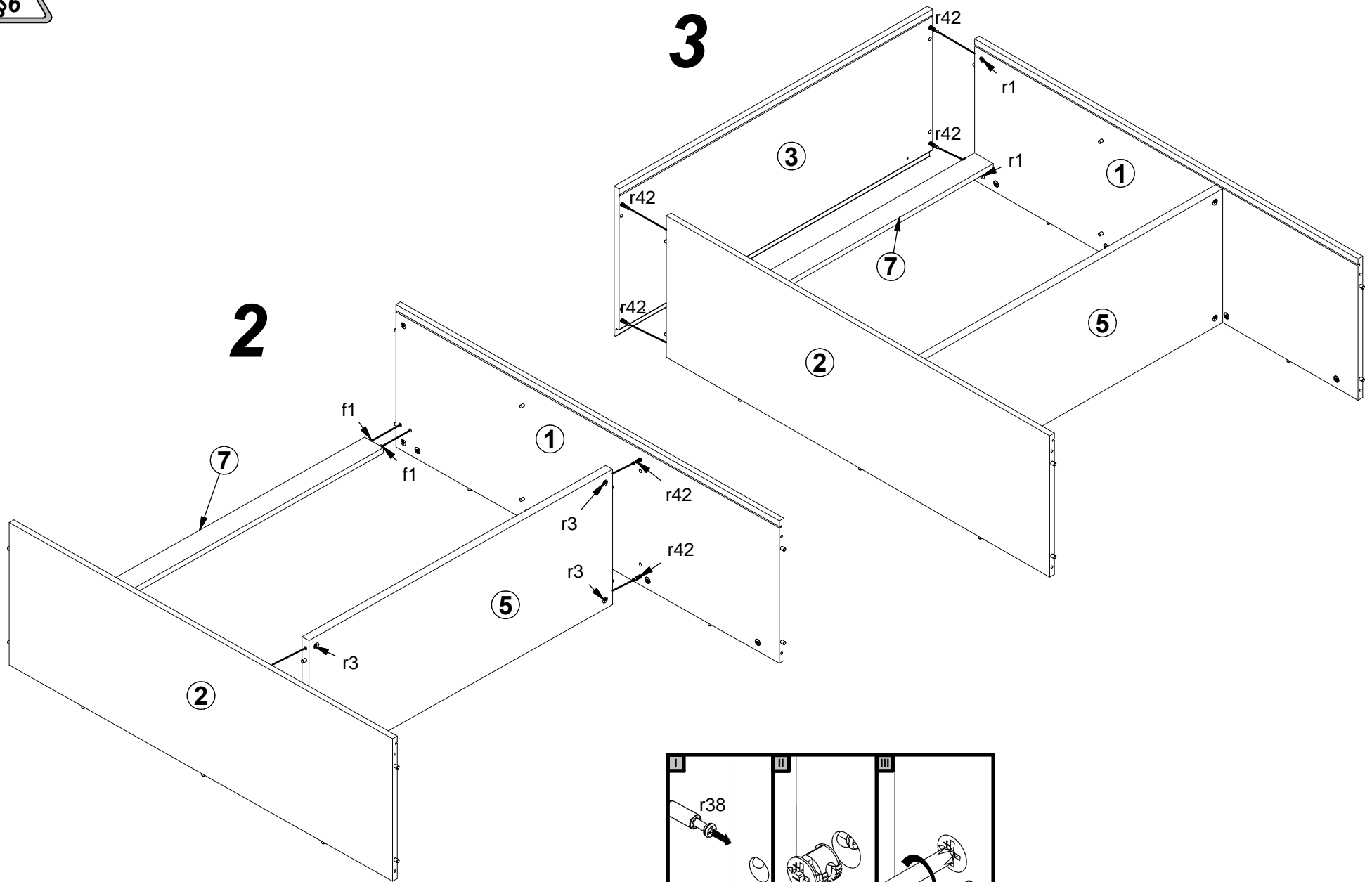
6x a132	2x a133	6x b43	4x d3 Ø5x17 mm	4x e1 Ø7x50 mm	12x e2 Ø6.3x13 mm	8x e41 Ø5x12 mm	16x e47 Ø5x16 mm	22x f1 Ø8x30 mm	4x k104	10x l1	18x l2 25x25x16/2	4x n110
16x o54 Ø5,3/Ø6,3x4,8 mm	8x p21 Ø4x30 mm	12x p51 Ø3,5x15 mm	12x r1 Ø15x12 mm #16	4x r3 Ø15x15 mm #22	16x r42 Ø16	10x s2	1x z1	1x f35 Ø10x50 mm	1x n14 81x21x15/1,5	1x p17 Ø5x60 mm	2x p38 Ø3,5x16 mm	

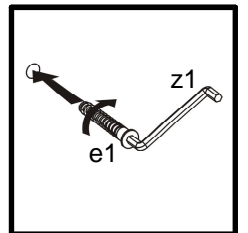
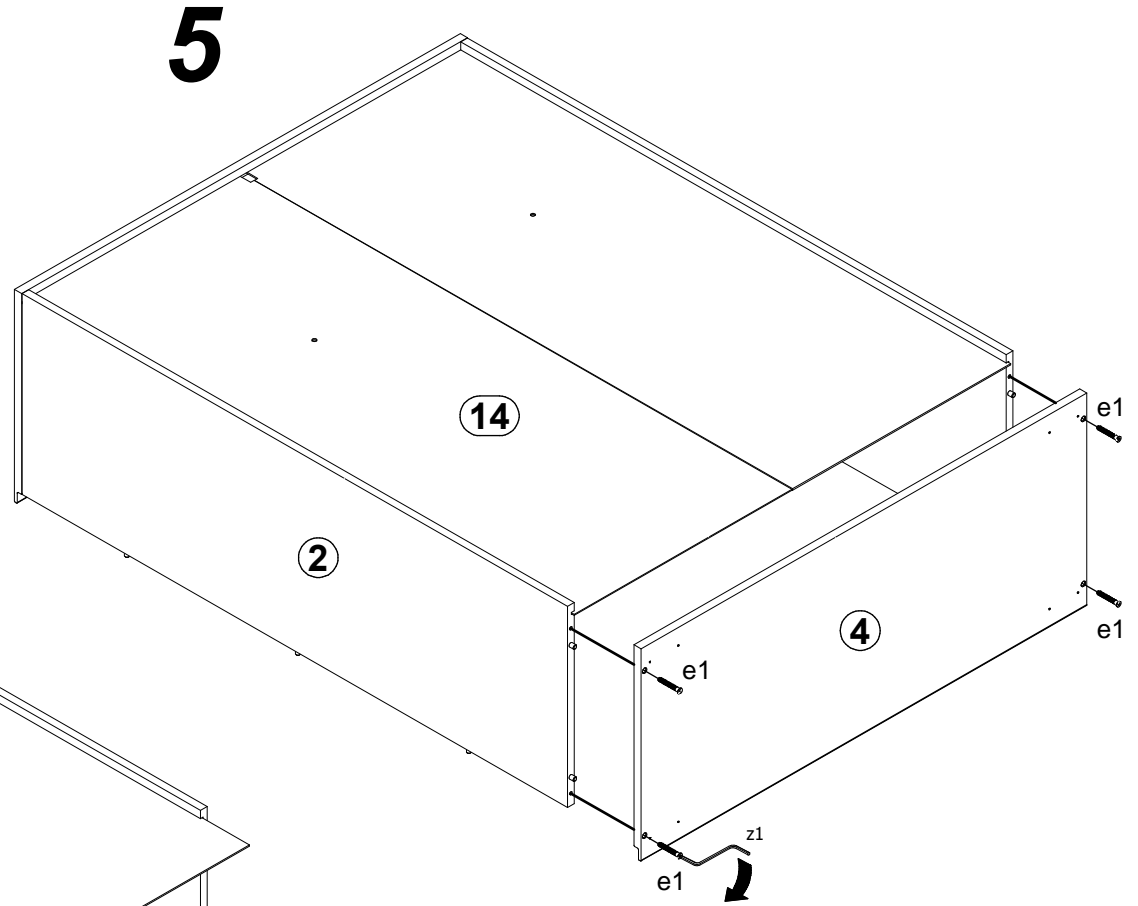
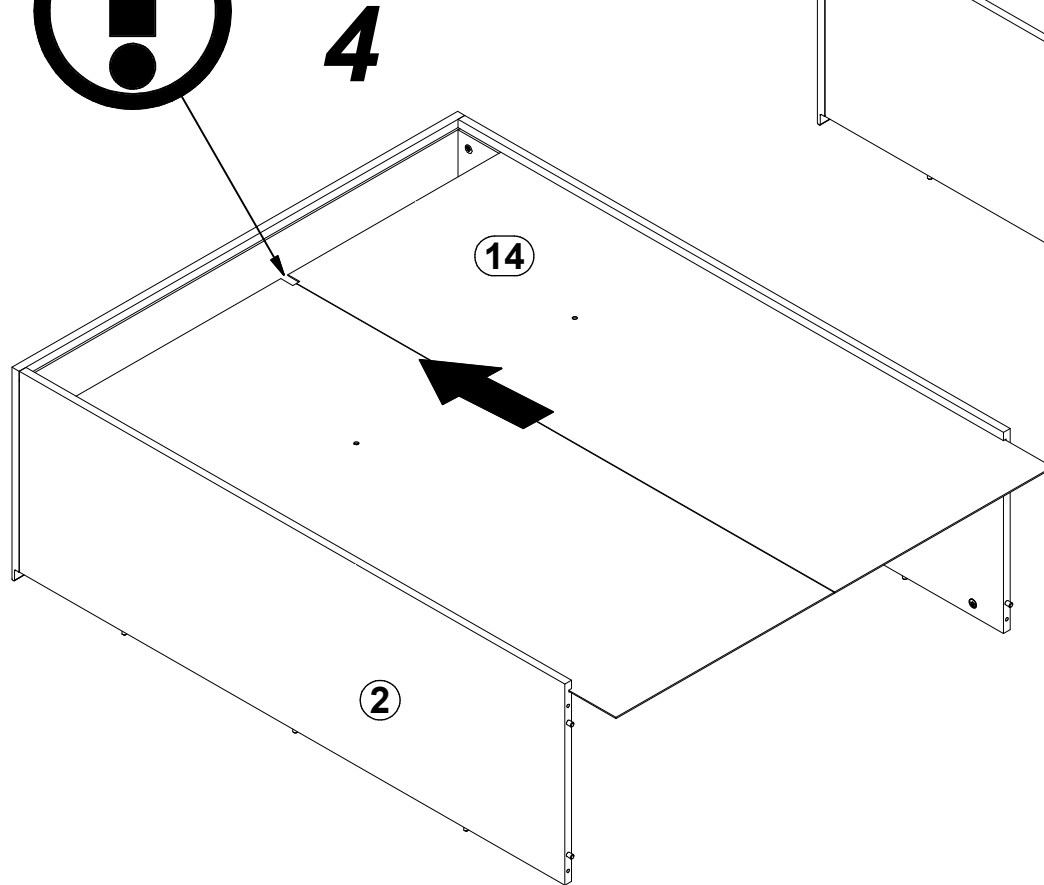
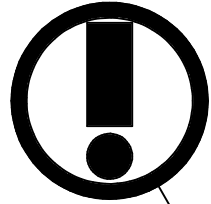
1 

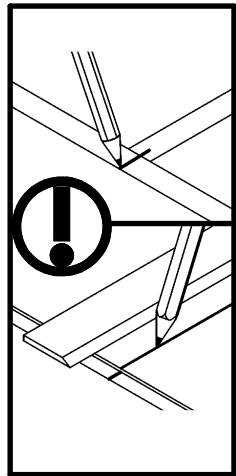
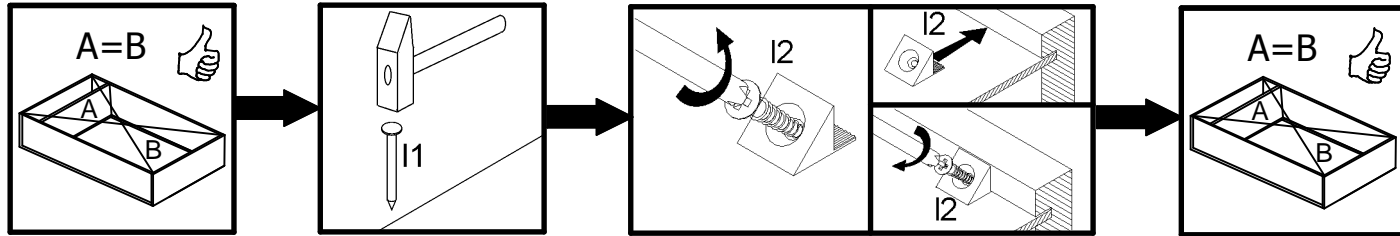


1 



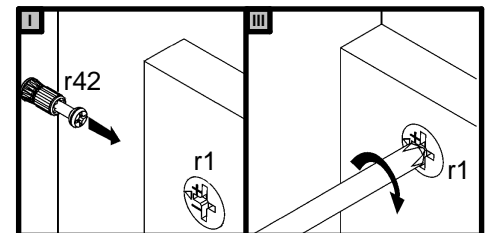
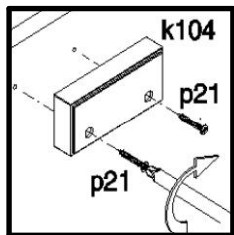
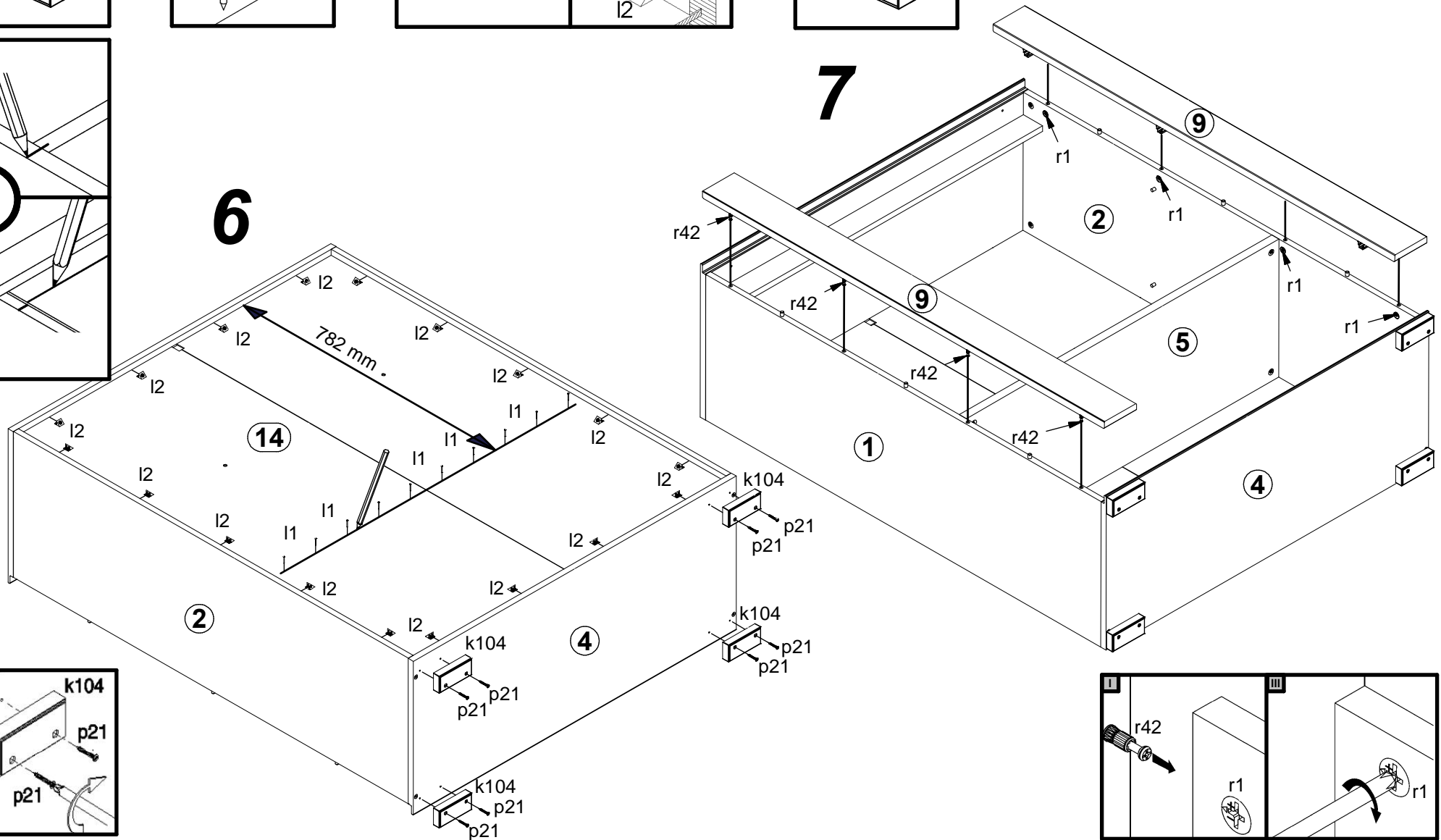


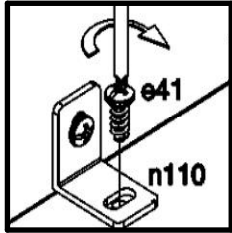
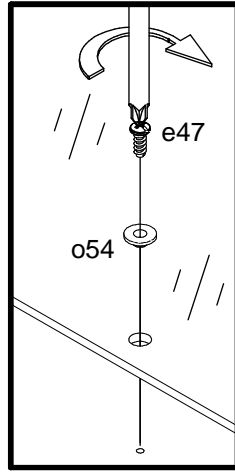




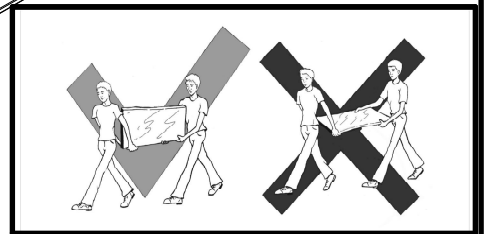
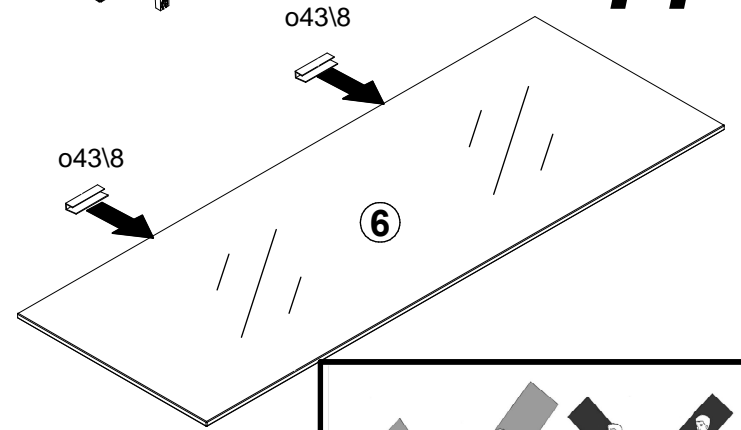
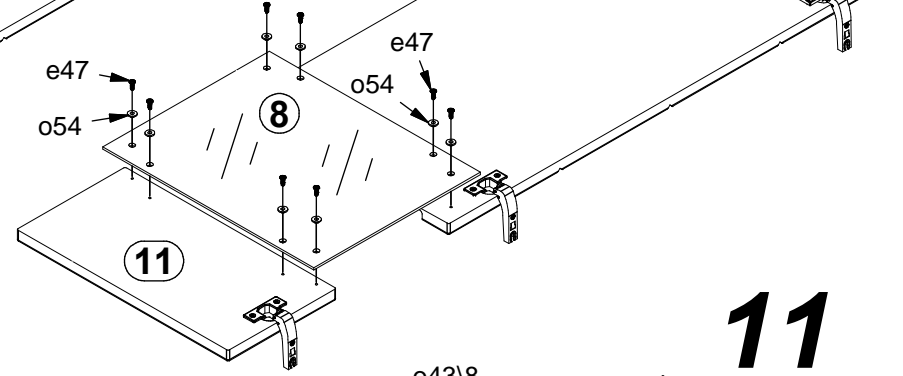
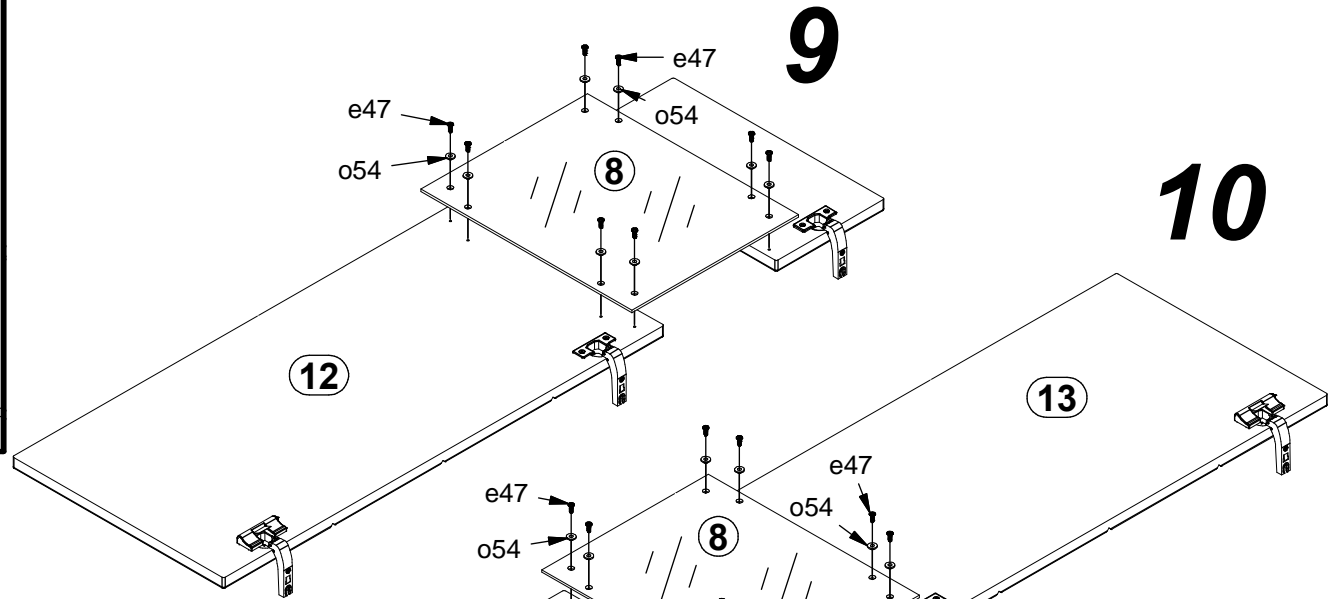
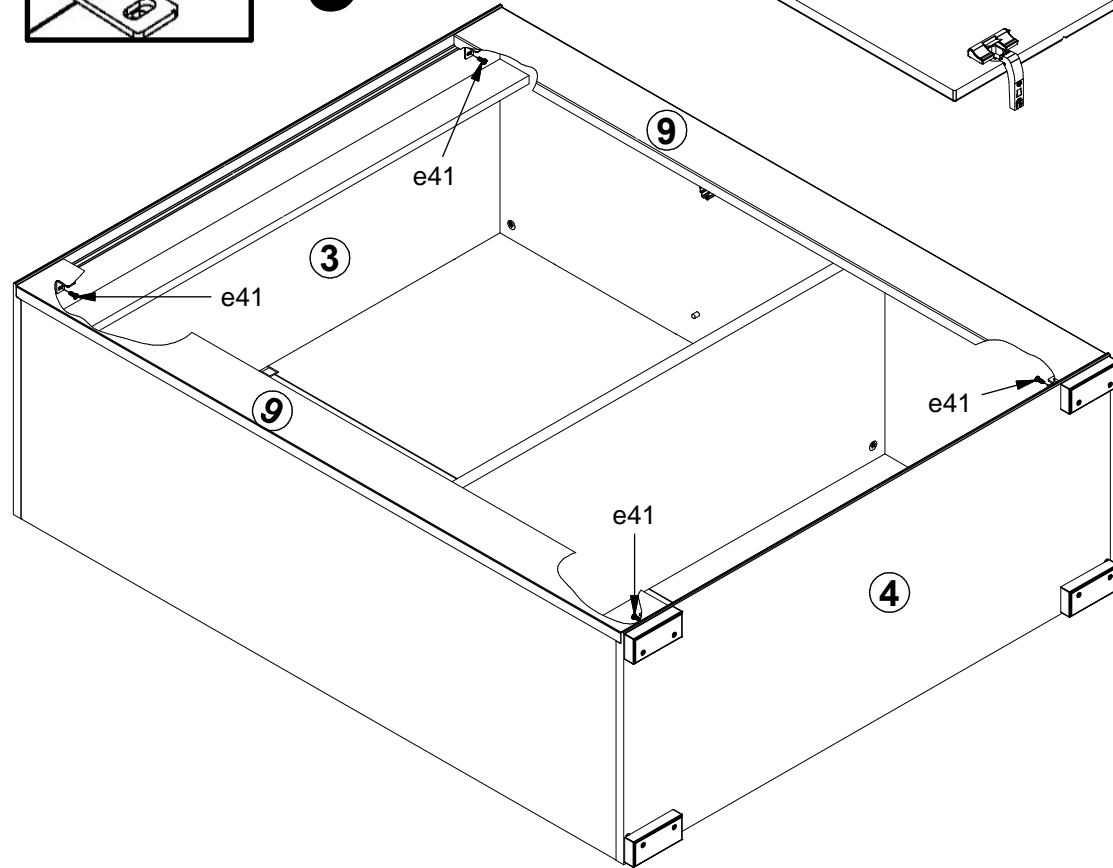
6

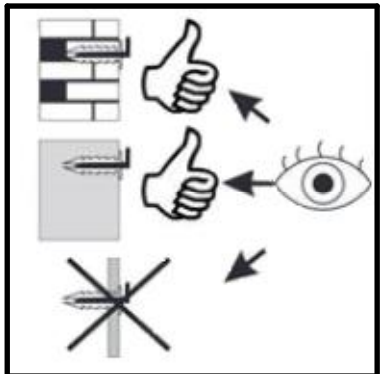
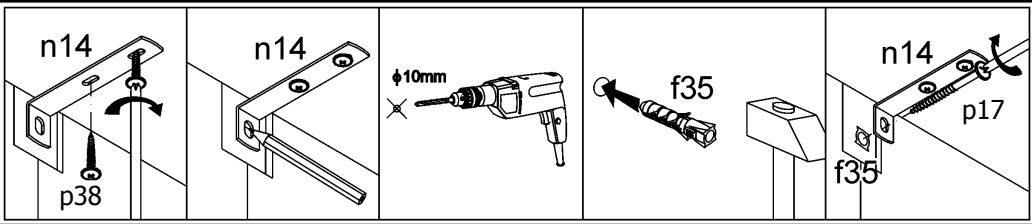
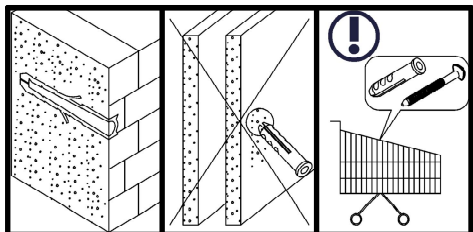
7



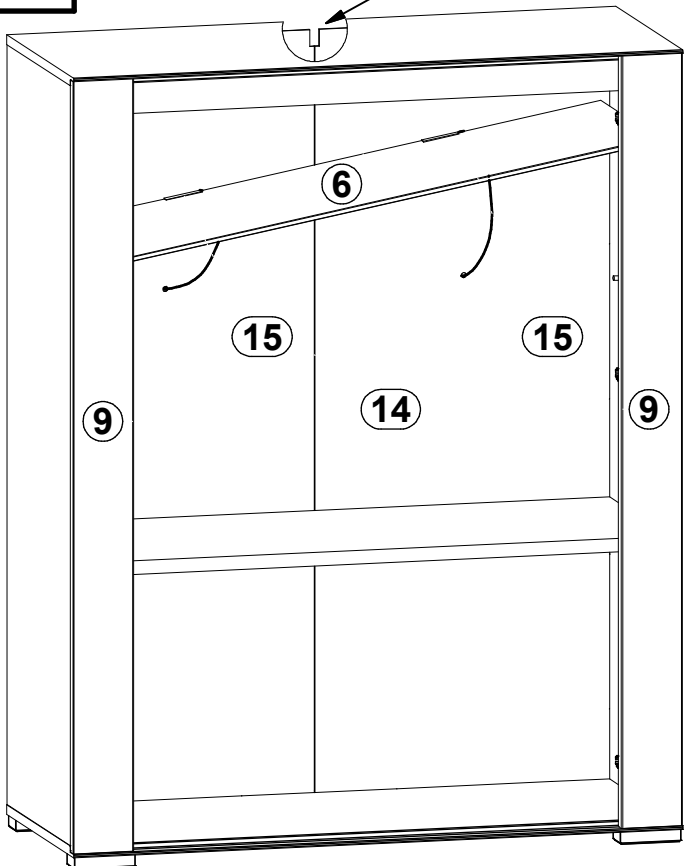


8

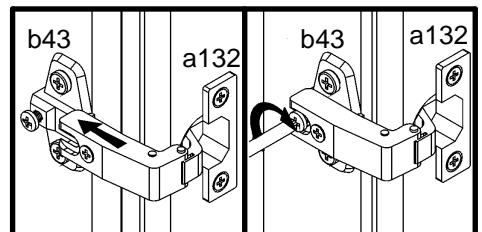
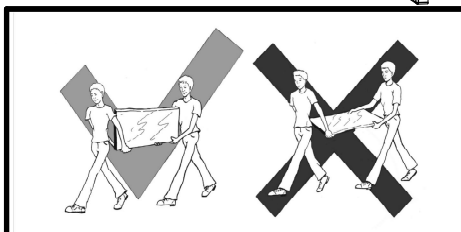
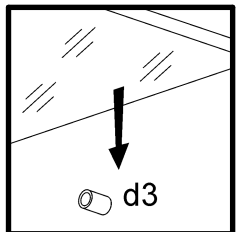
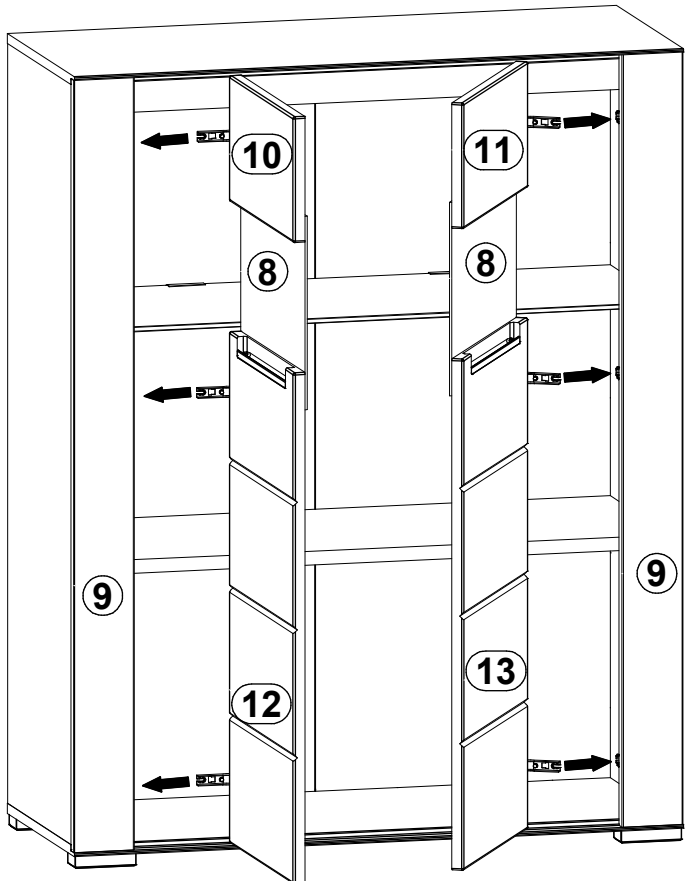




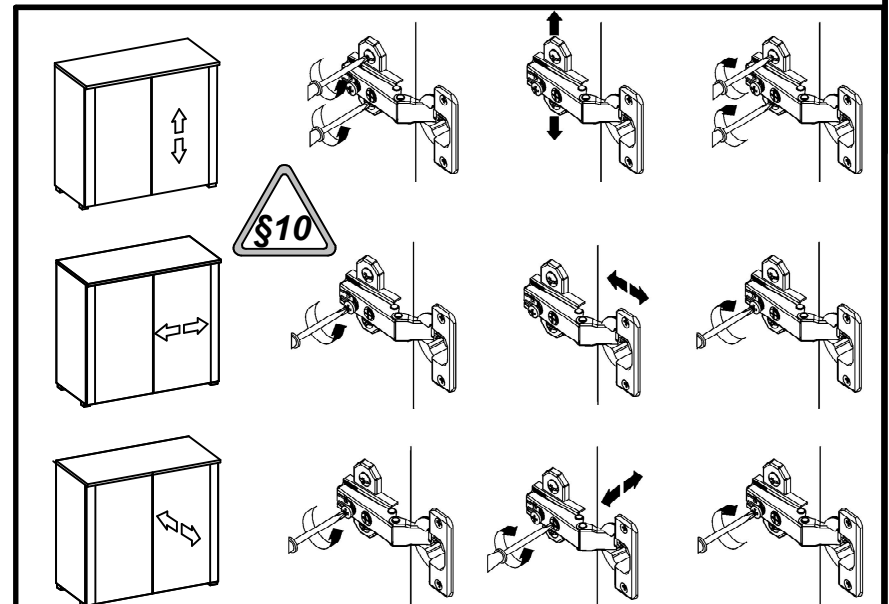
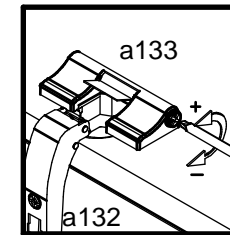
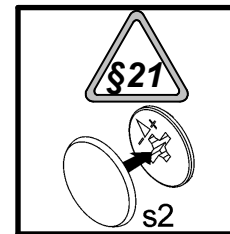
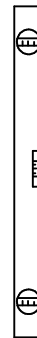
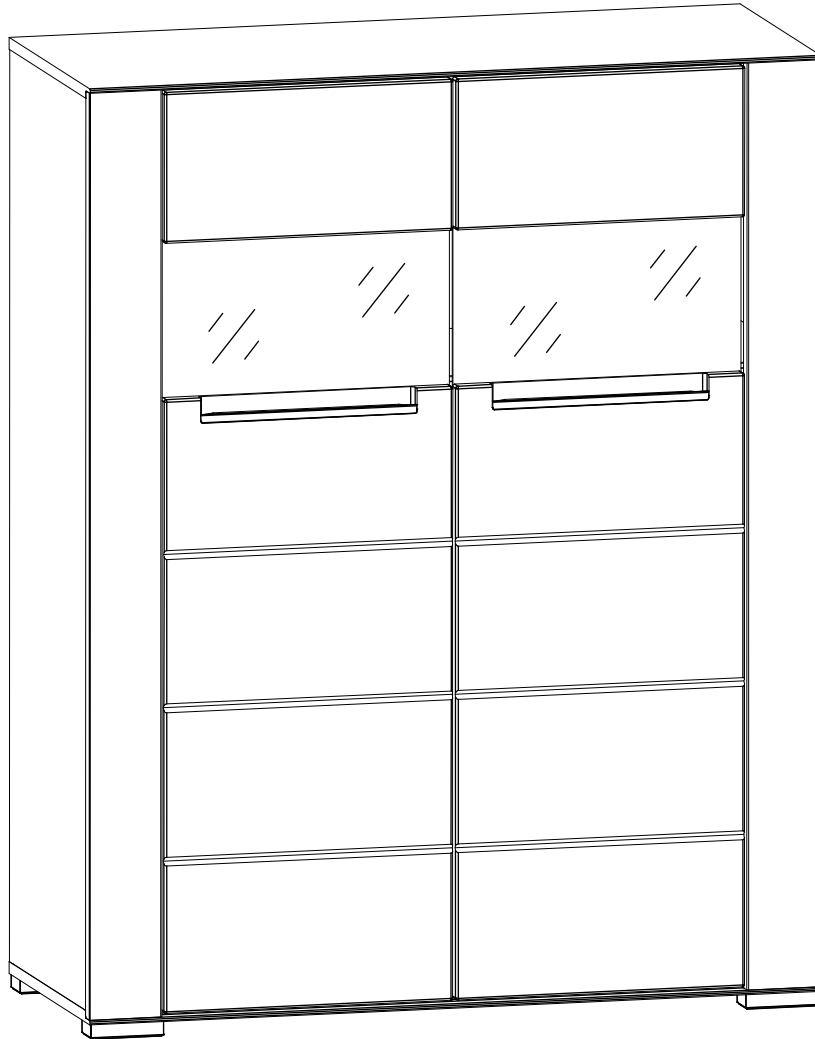
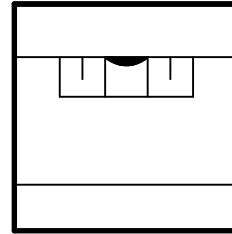
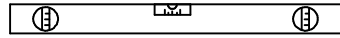
12

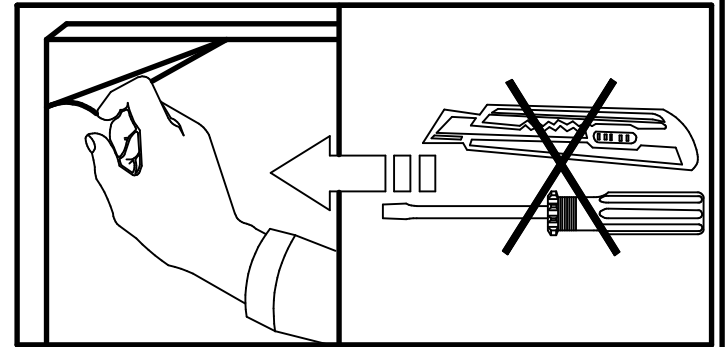
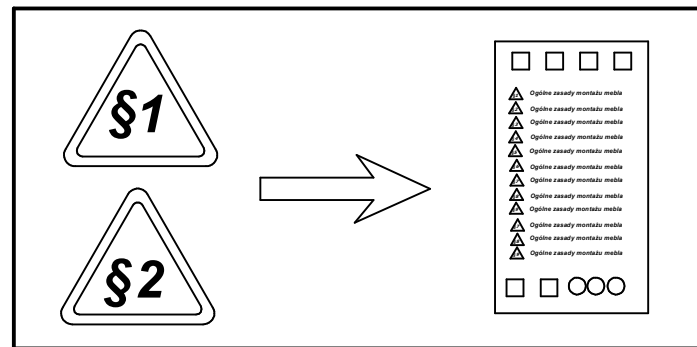
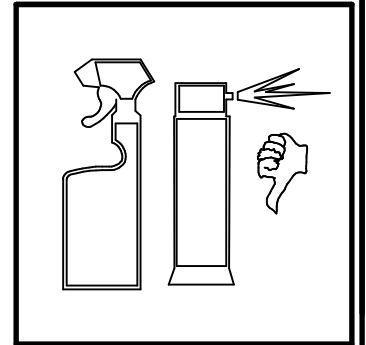
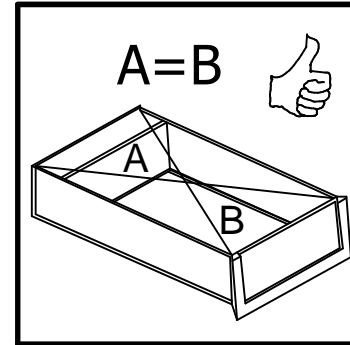
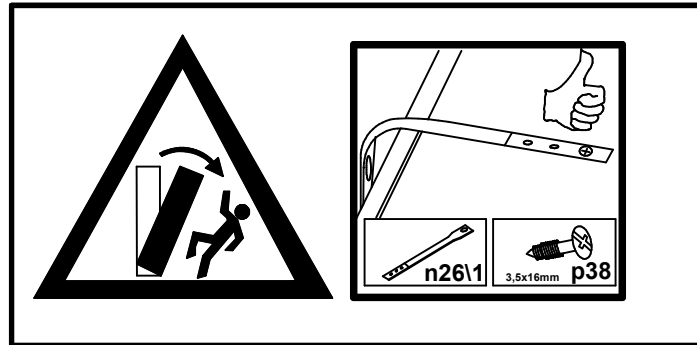
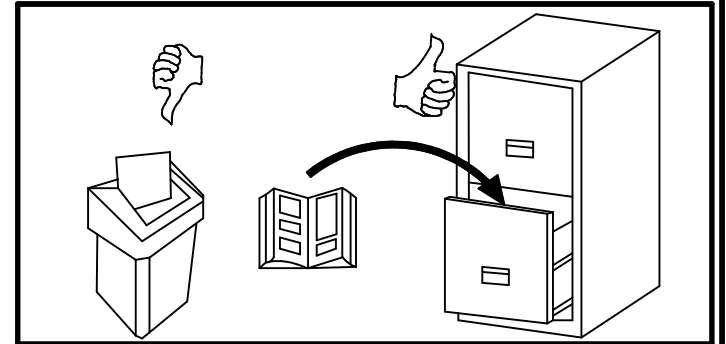
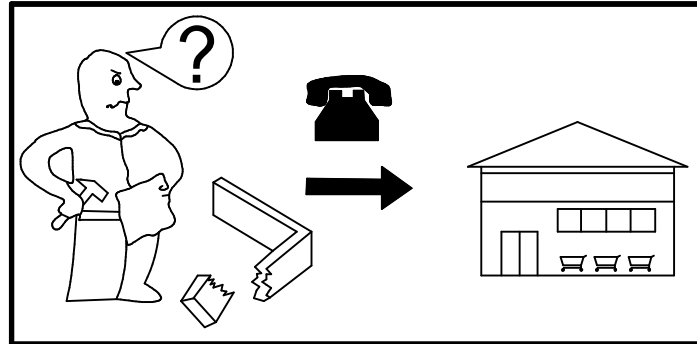
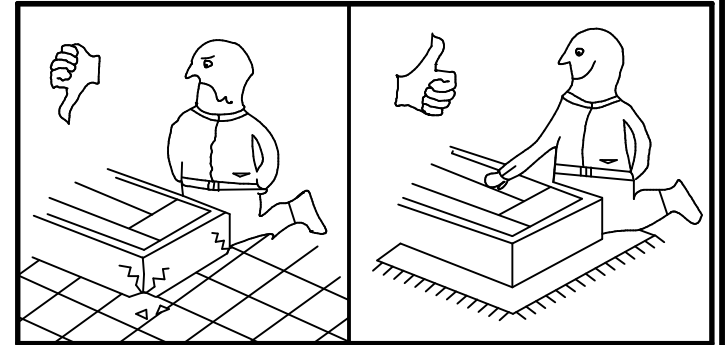
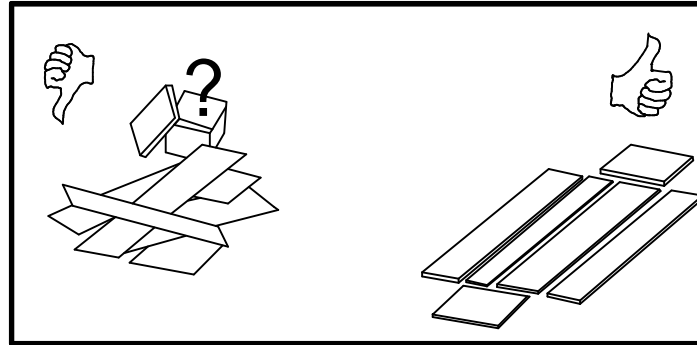


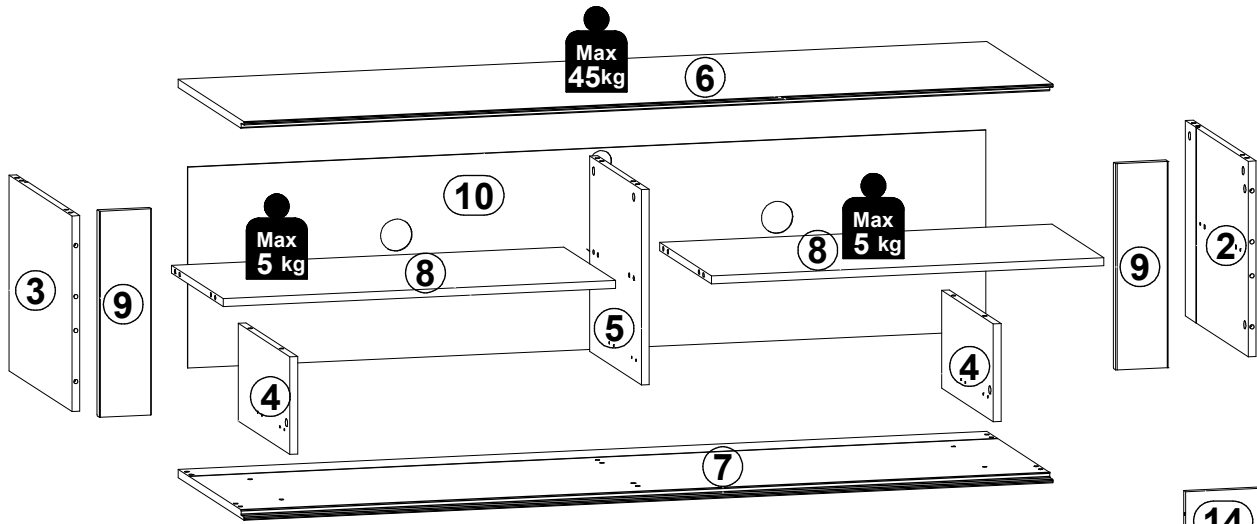
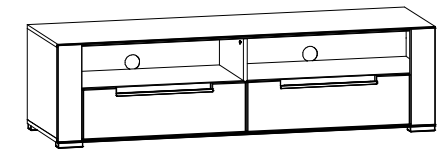
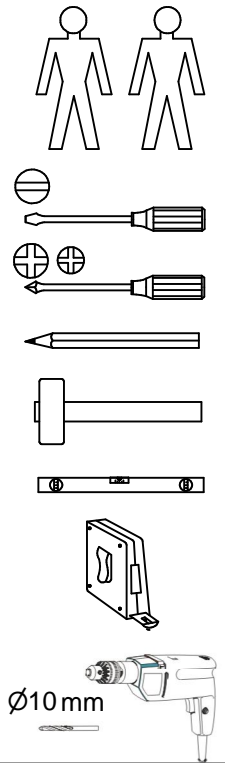
13



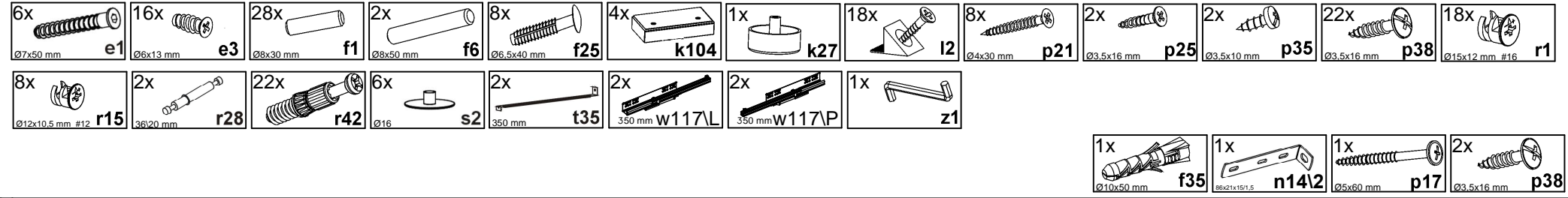
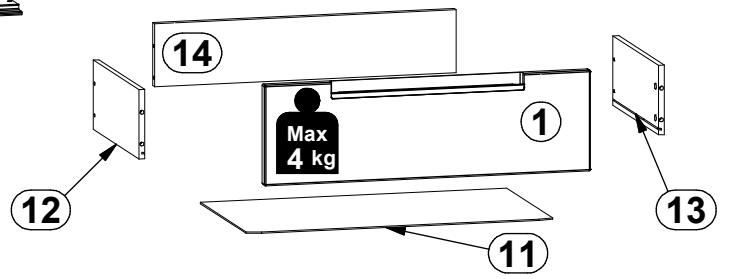
14



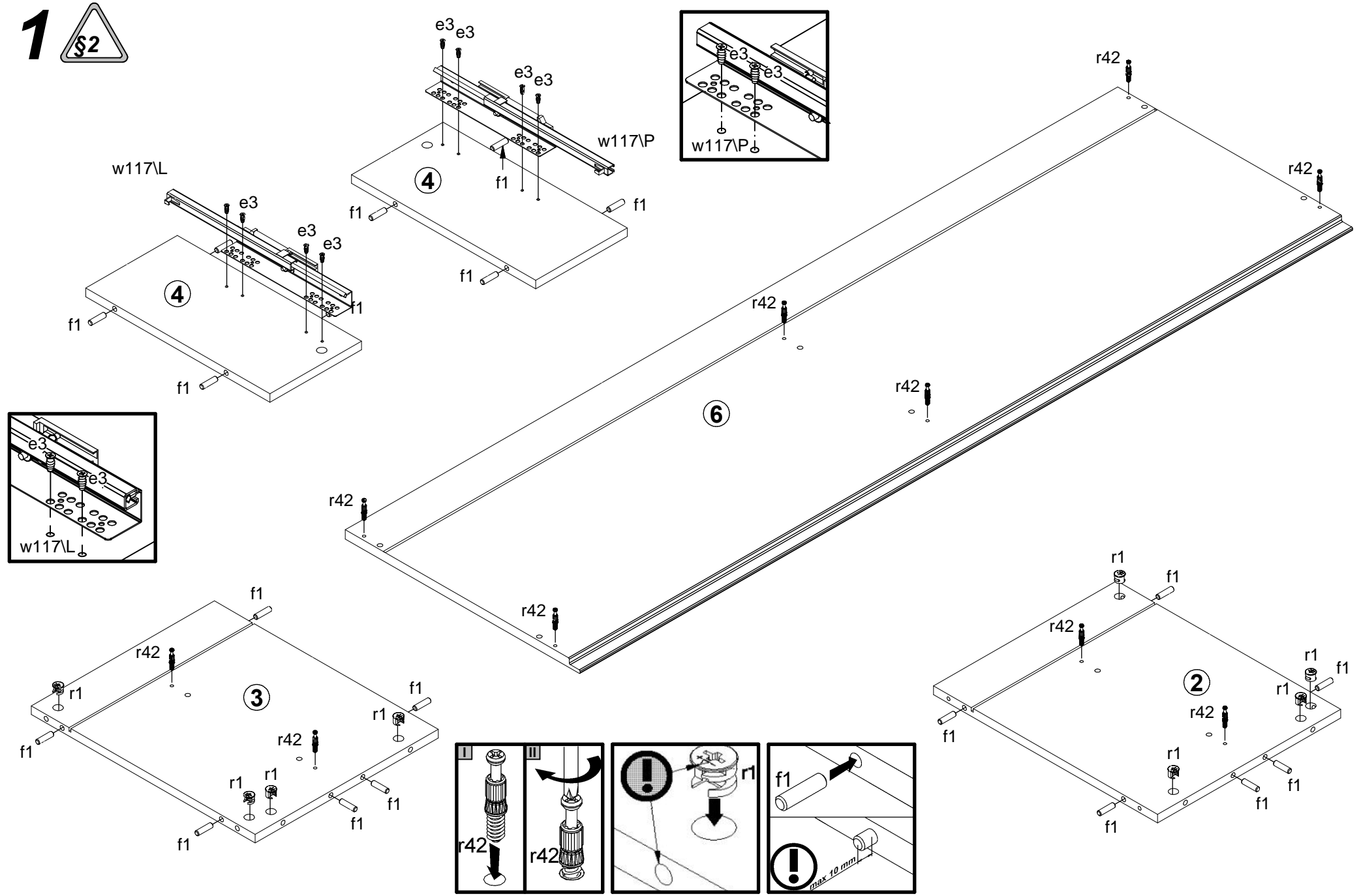


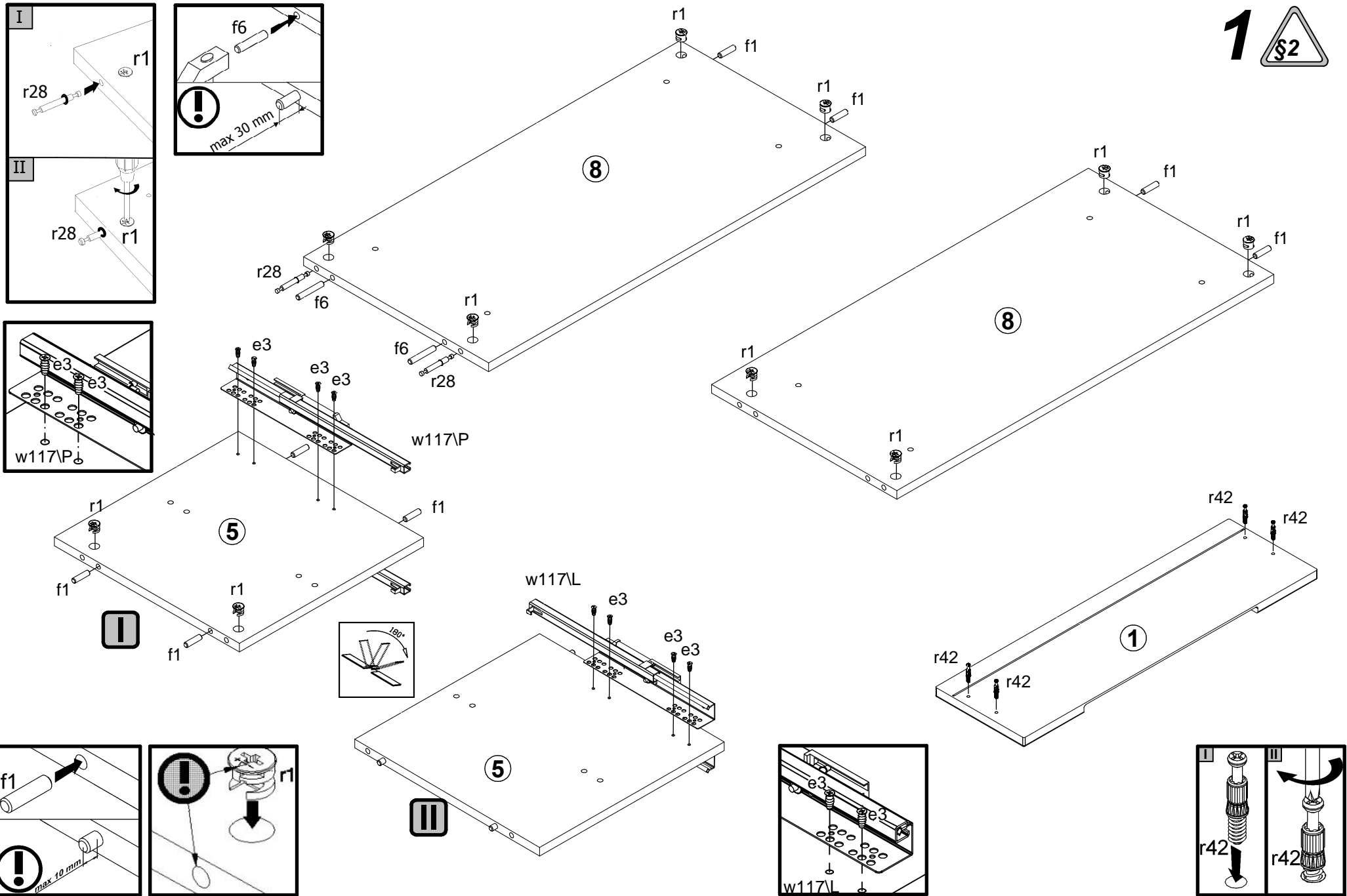
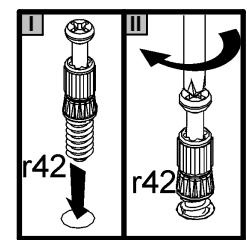
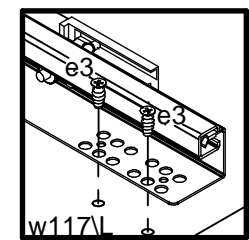
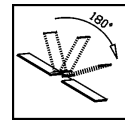
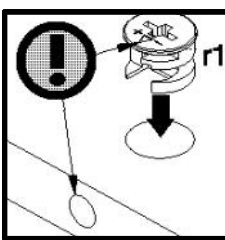
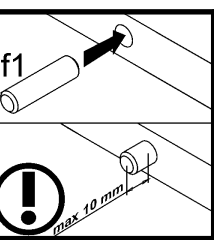
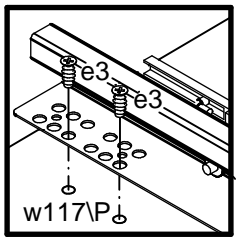
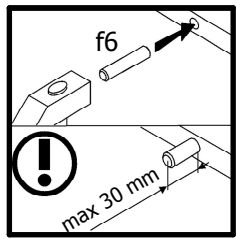
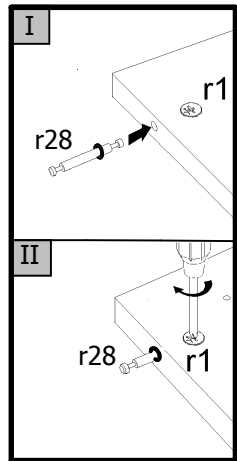


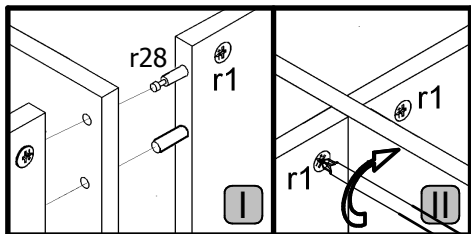
A	B	C (mm)		D
1	S230-005	203	671	1/1
2	S230-109A	368	450	1/1
3	S230-110A	368	450	1/1
4	S230-111A	184	370	1/1
5	S230-112A	368	370	1/1
6	S230-207A	1552	472	1/1
7	S230-208A	1552	472	1/1
8	S230-305A	753	370	1/1
9	S230-574	388	100	1/1
10	S230-901	1531	378	1/1
11	WSP-9034	630	358	1/1
12	WSQ4-505	350	140	1/1
13	WSQ4-506	350	140	1/1
14	WTQ-5075	620	127	1/1



1 

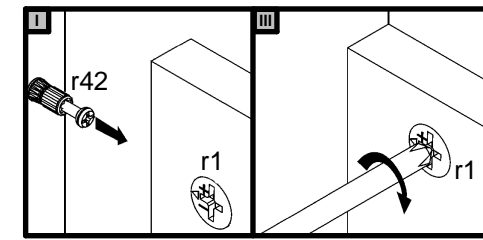
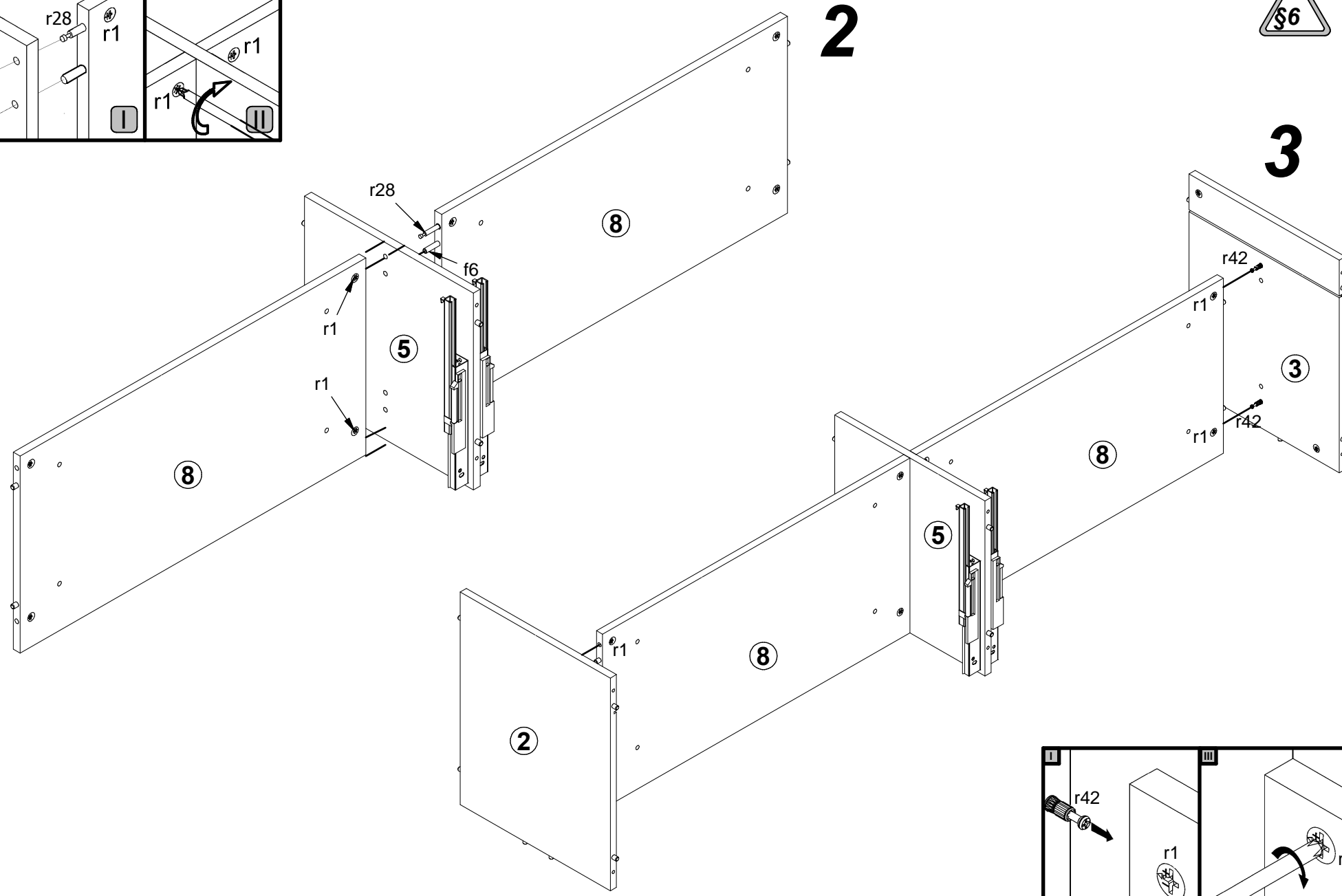


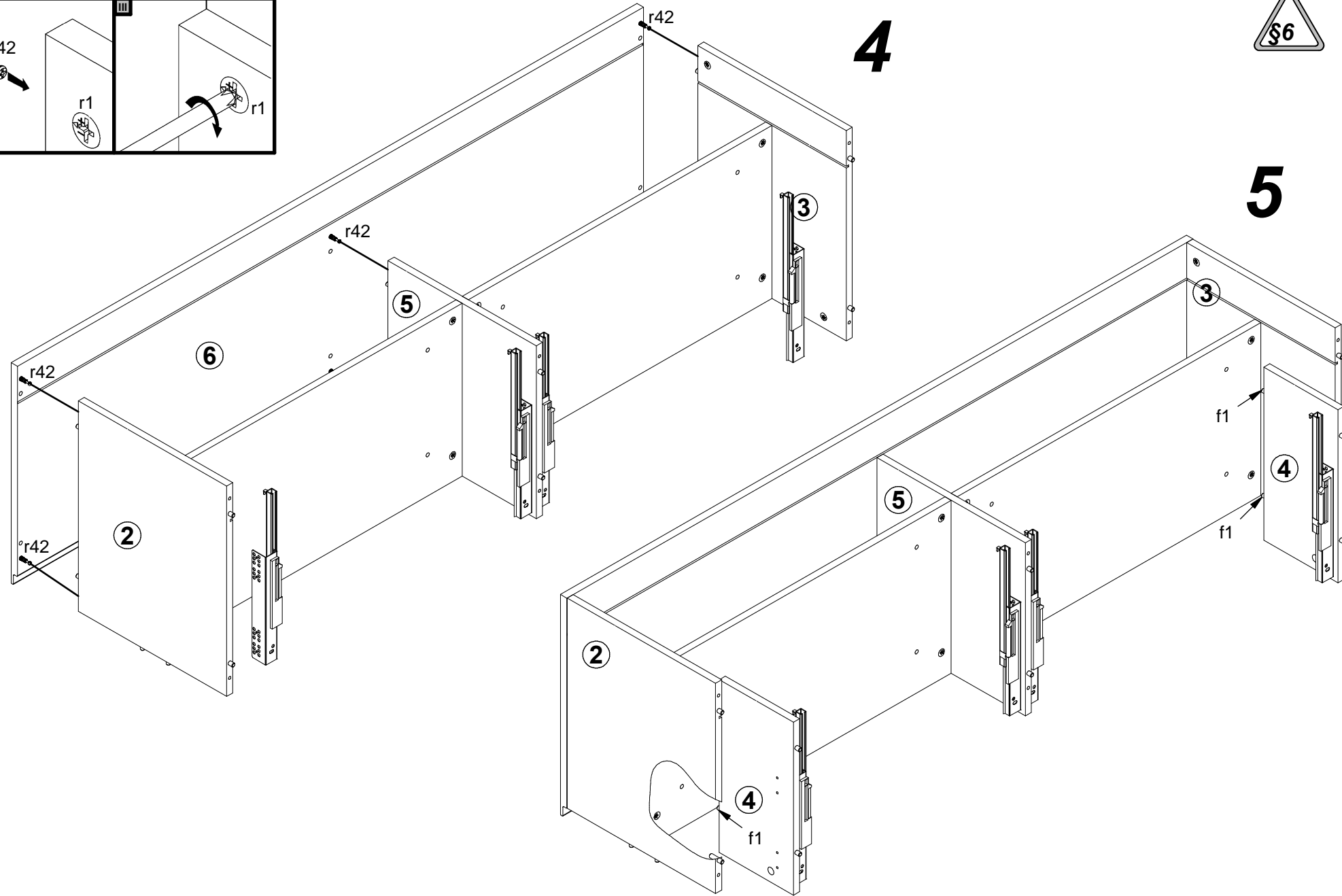
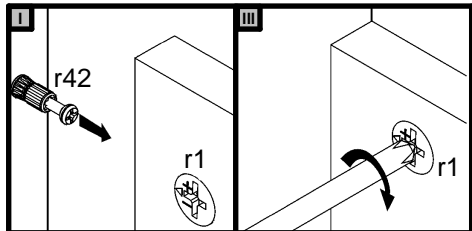


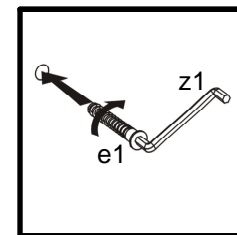
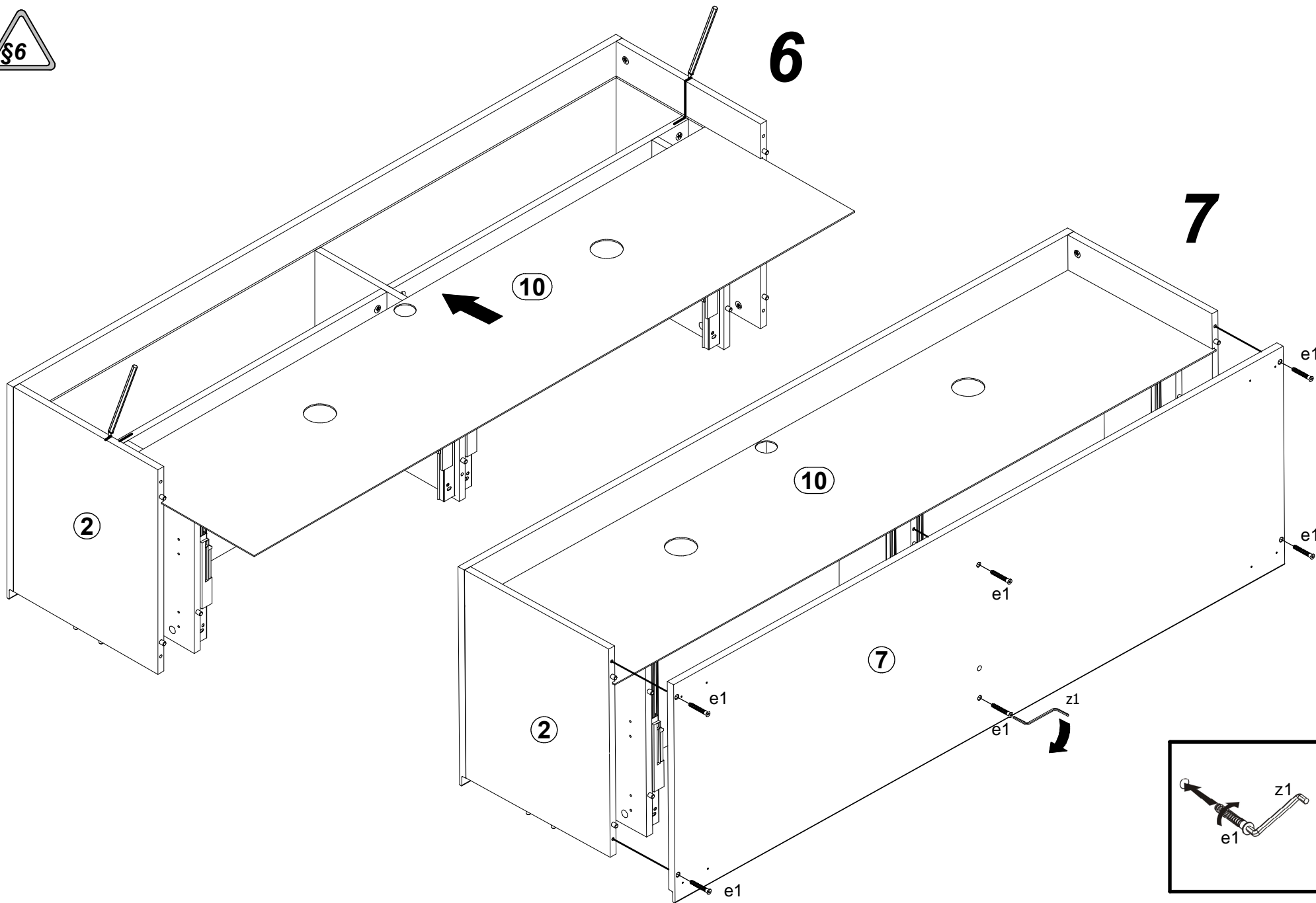


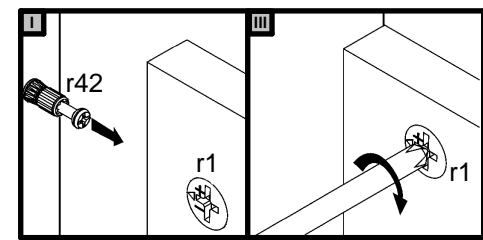
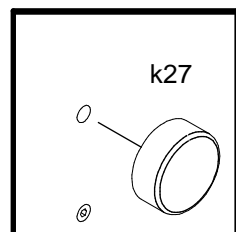
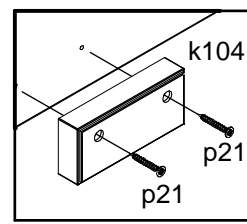
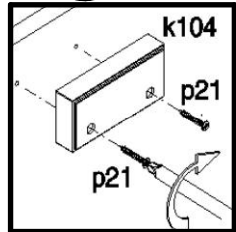
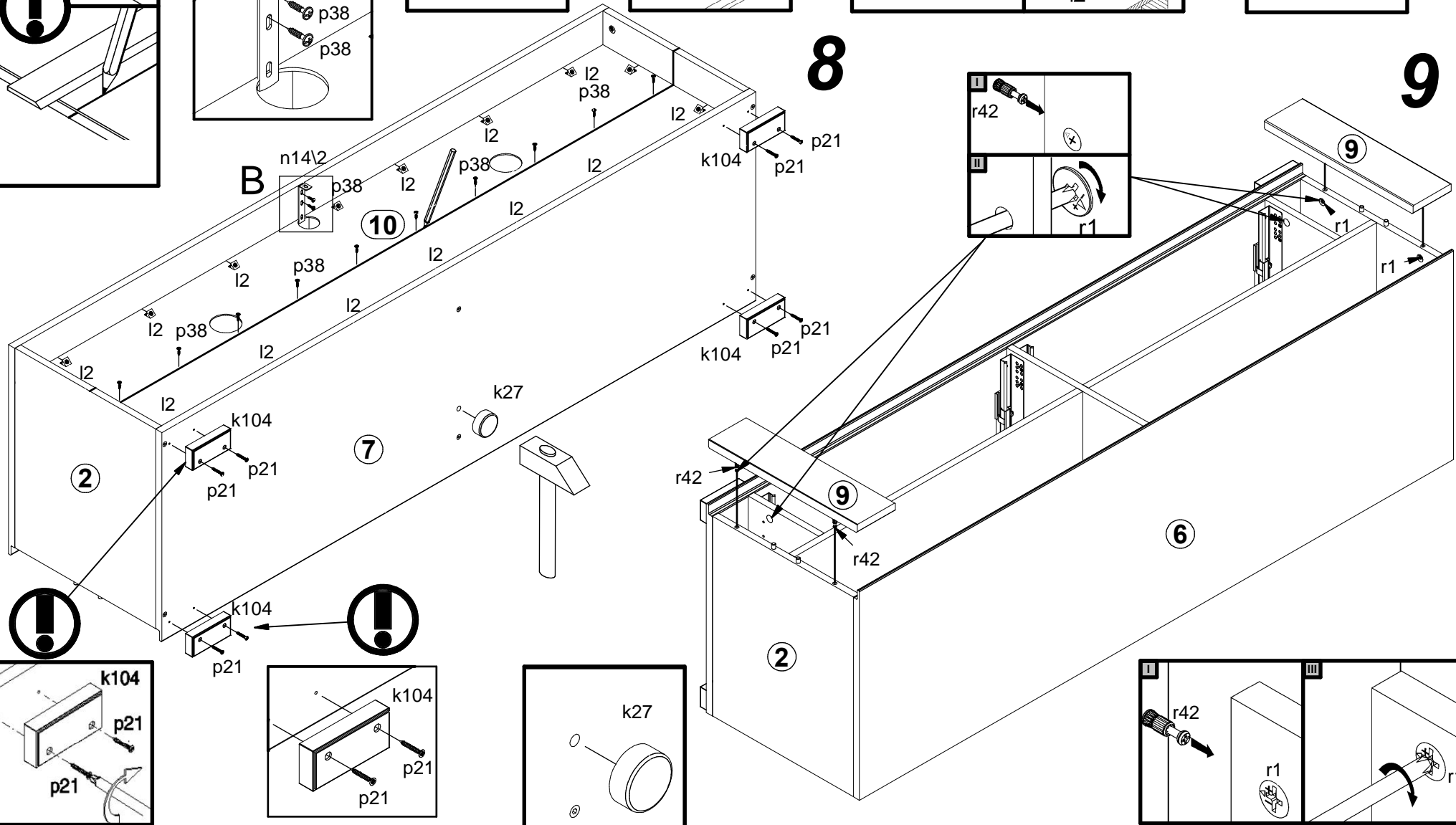
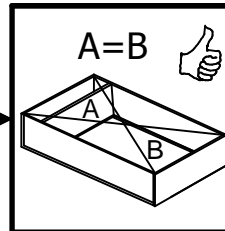
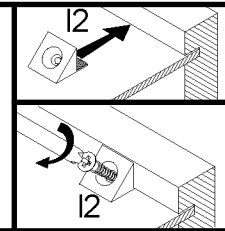
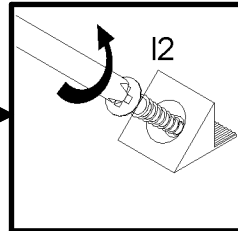
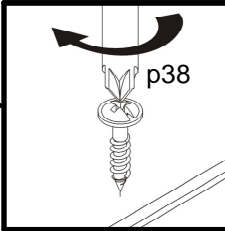
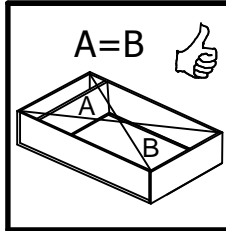
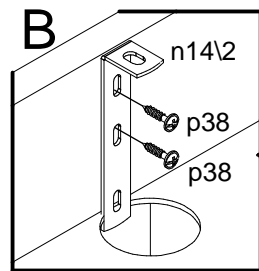
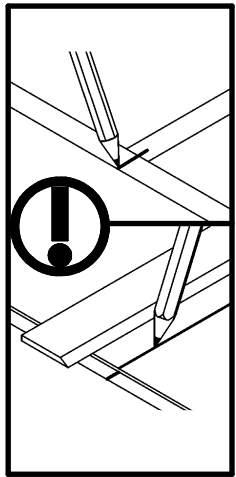
2

3

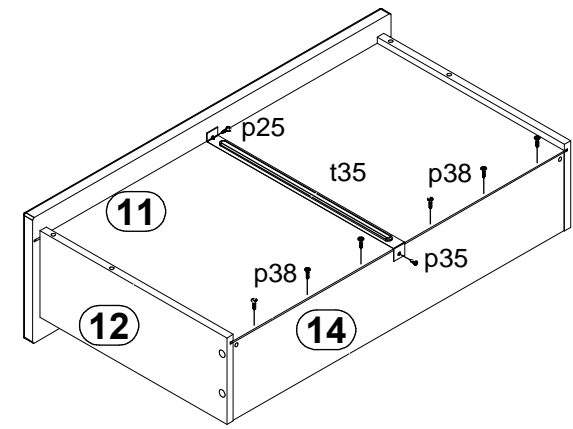
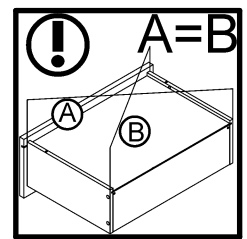
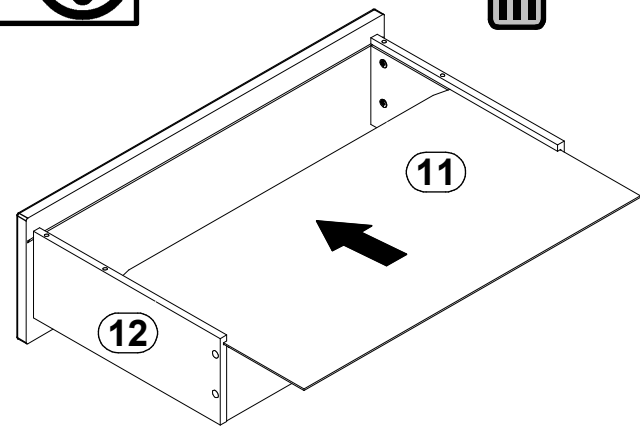
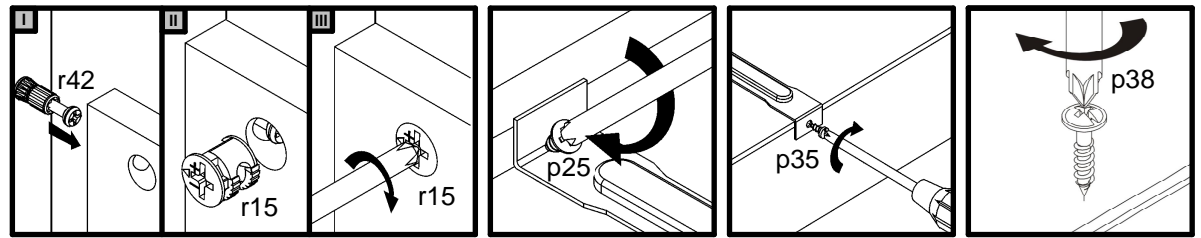
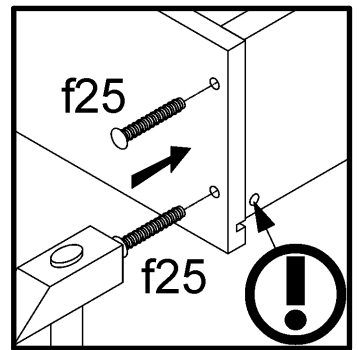
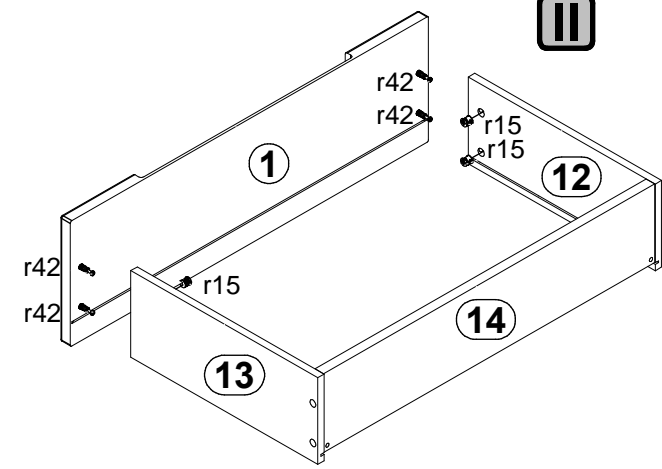
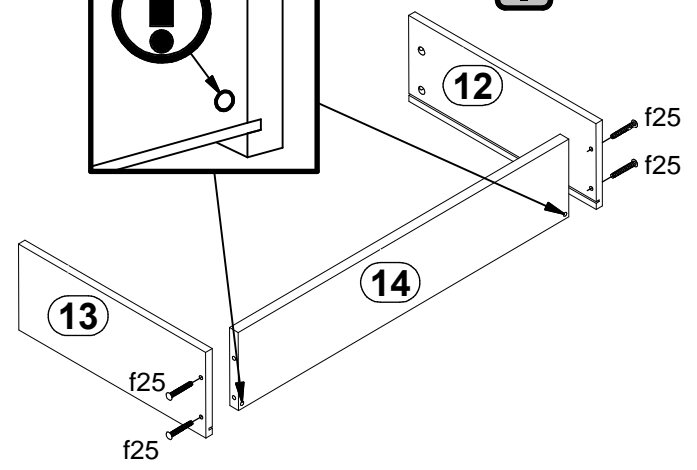
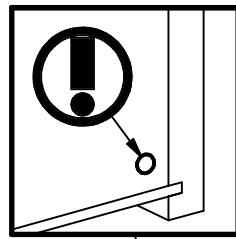


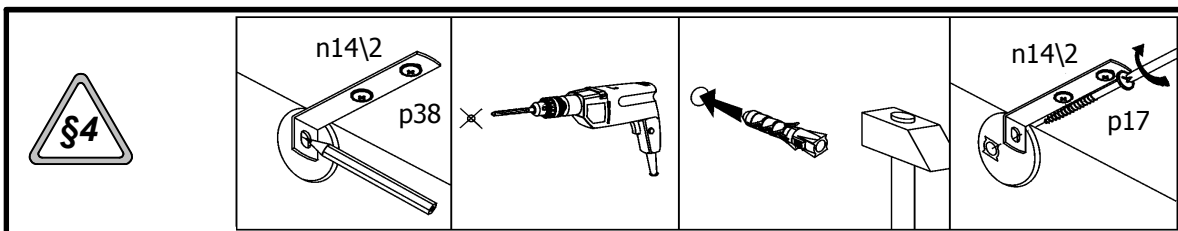




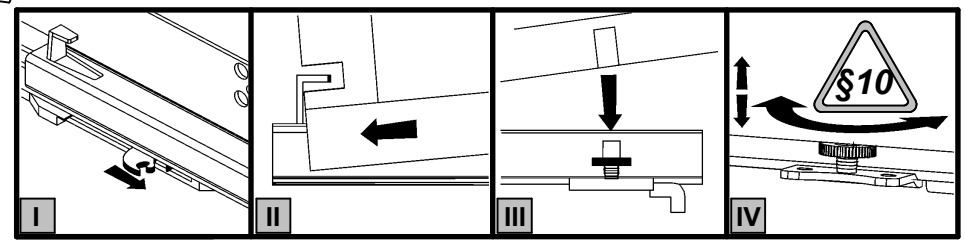
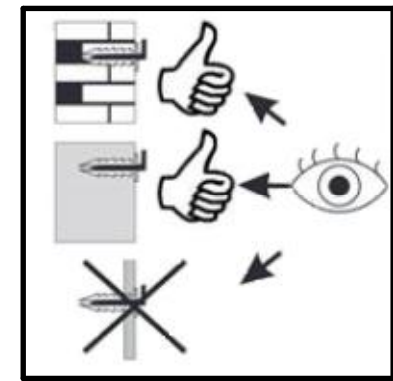
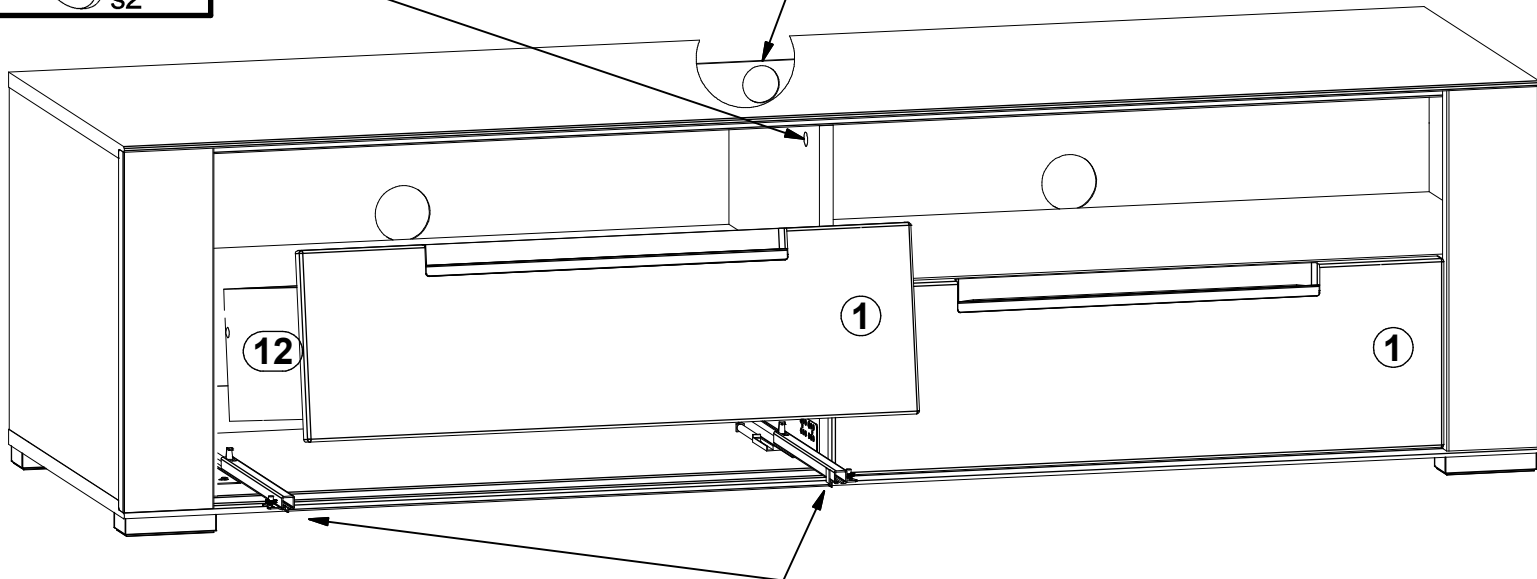
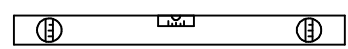
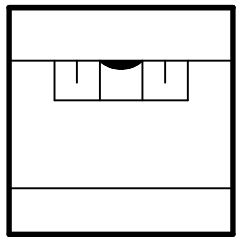
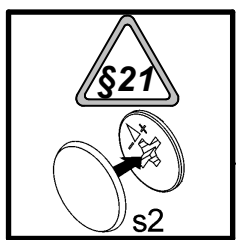
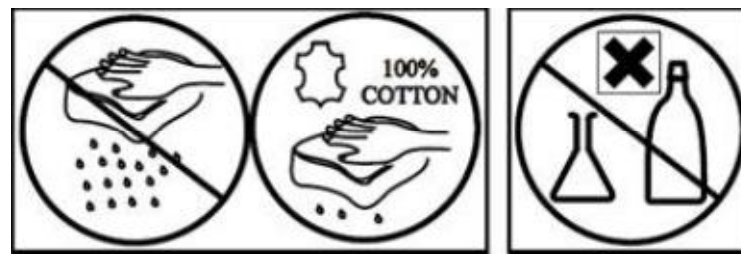


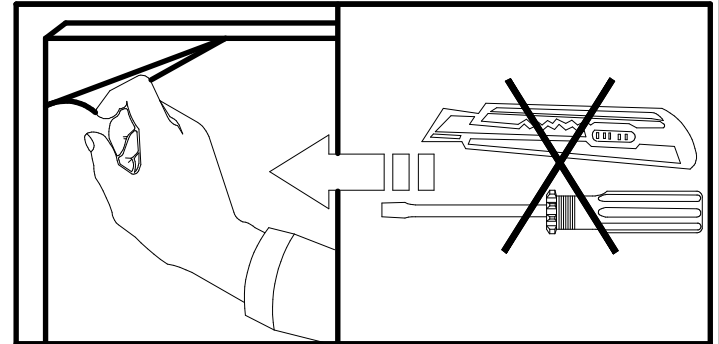
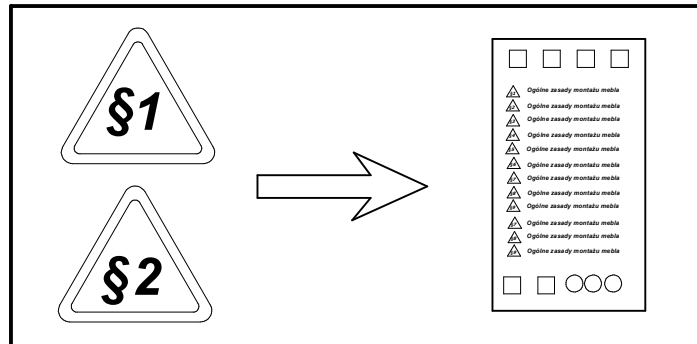
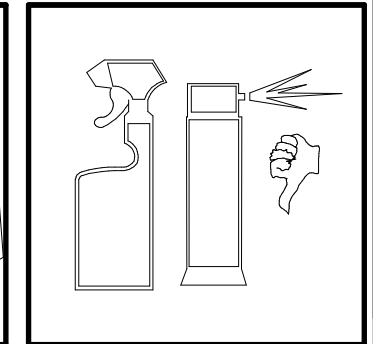
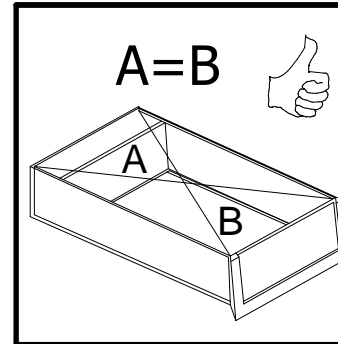
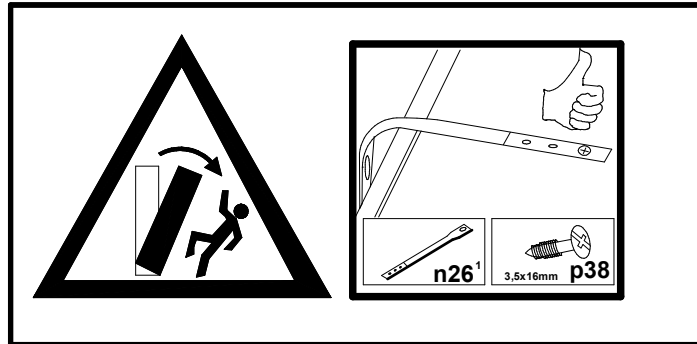
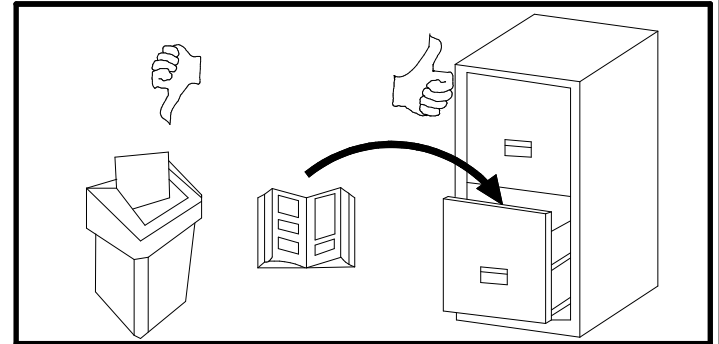
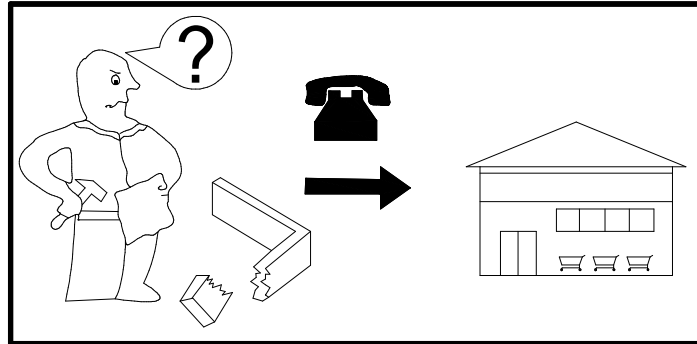
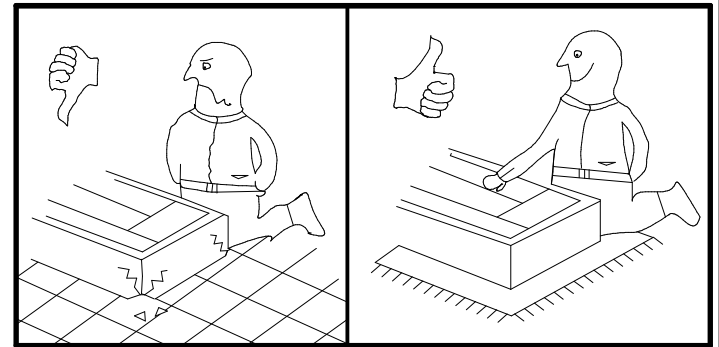
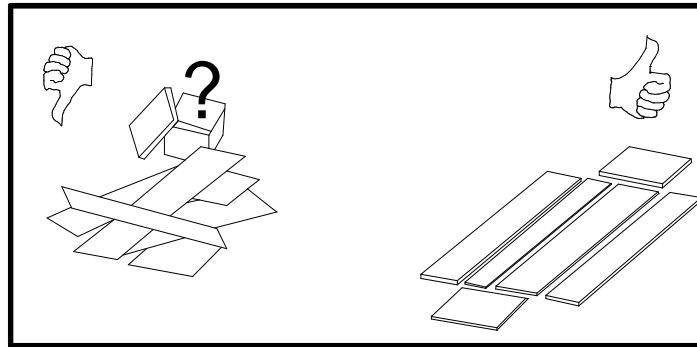
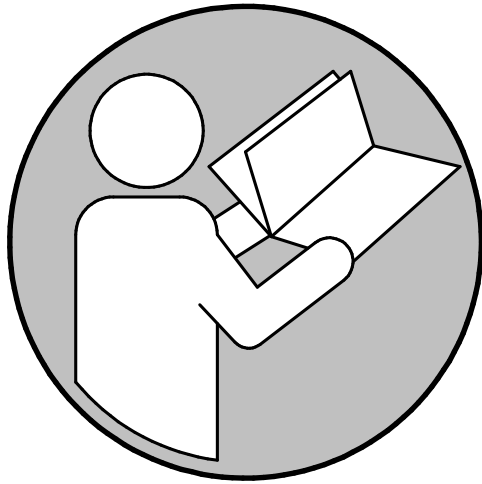
10





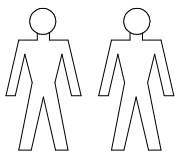
11 §6



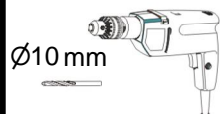
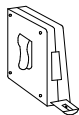
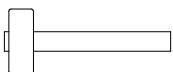
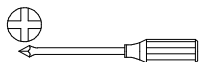
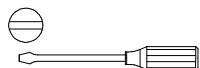
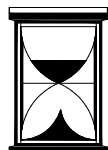
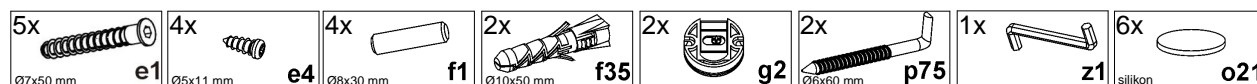
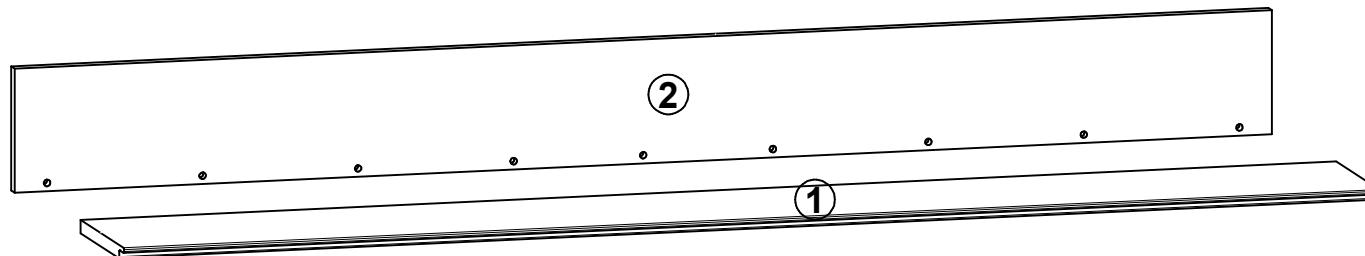


A**S230-P/2/16****10A6WW40 10A6RR40**

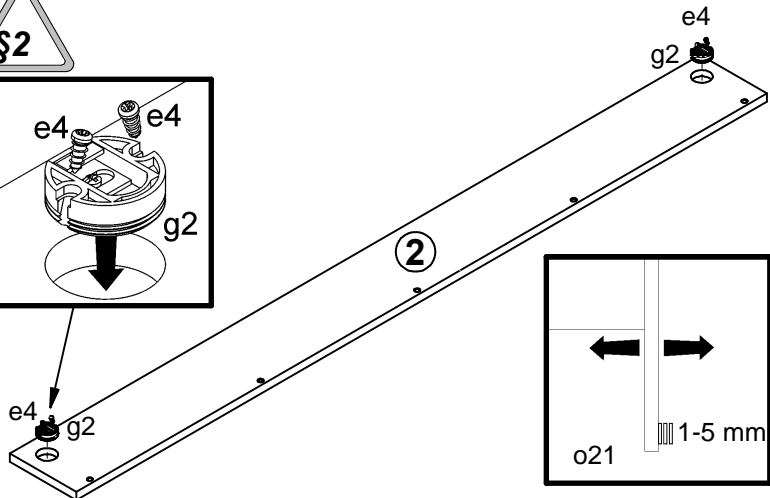
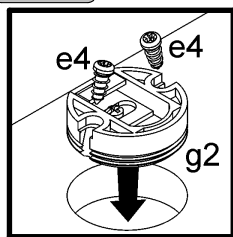
2 / 4


**Max
5 kg**

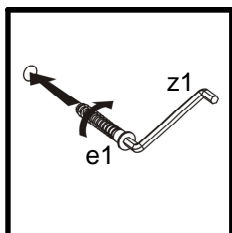
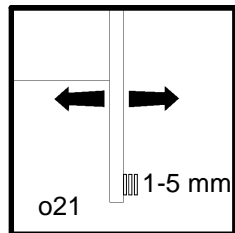

A	B	C (mm)		D
1	S230-311	1550	200	1/1
2	S230-405	1552	150	1/1


 $\varnothing 10\text{ mm}$

15 min


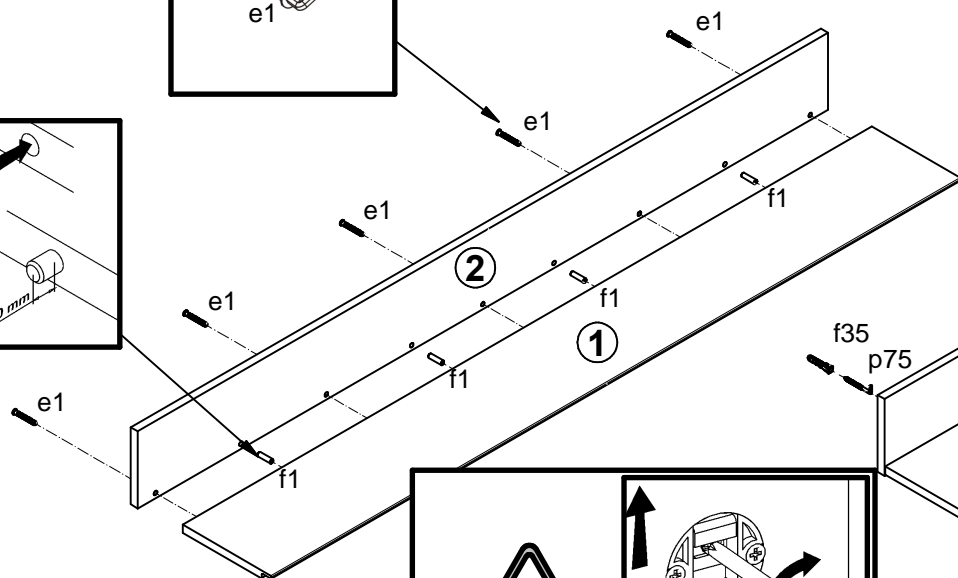
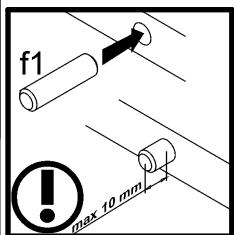
1



2

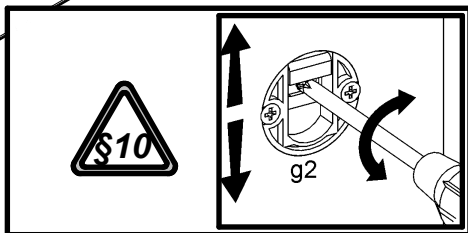


2

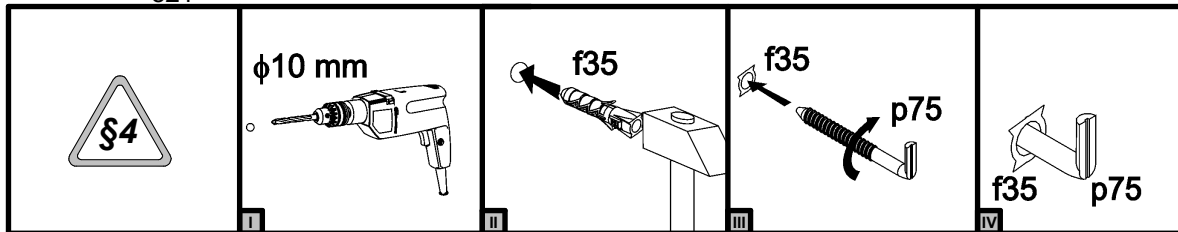
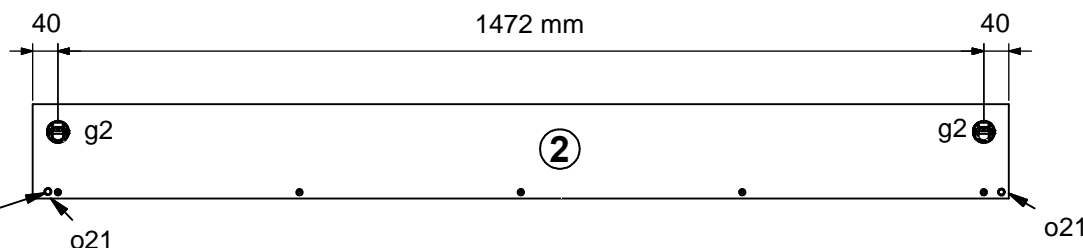


2

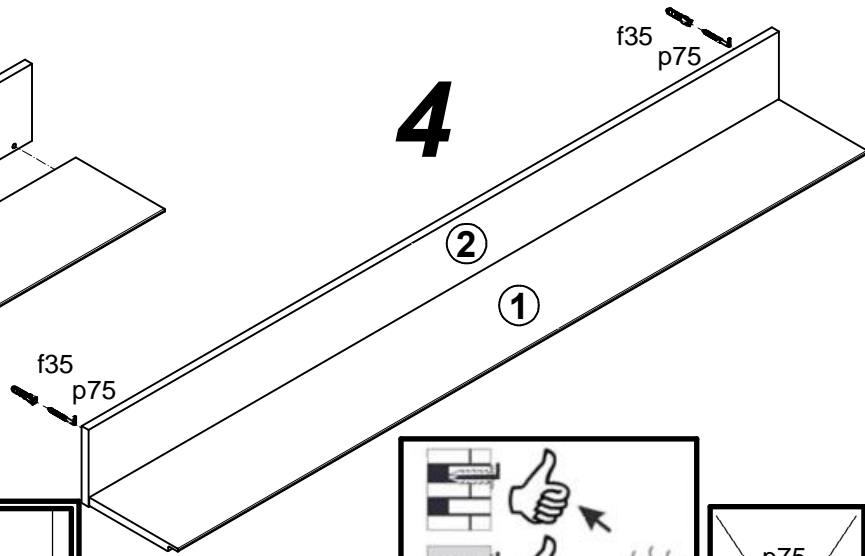
1



3

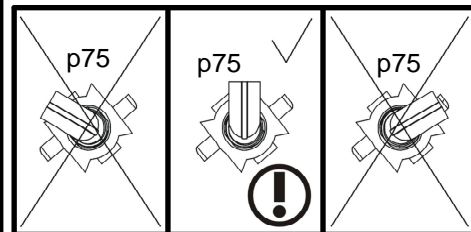
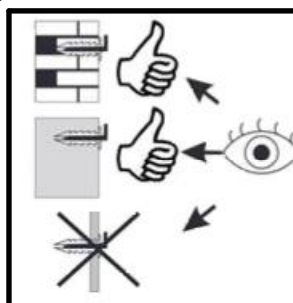
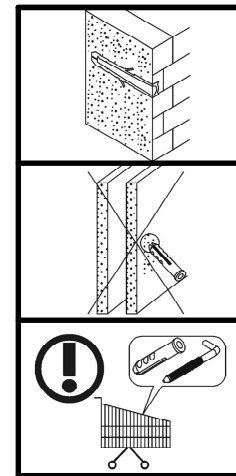


4



2

1



5

