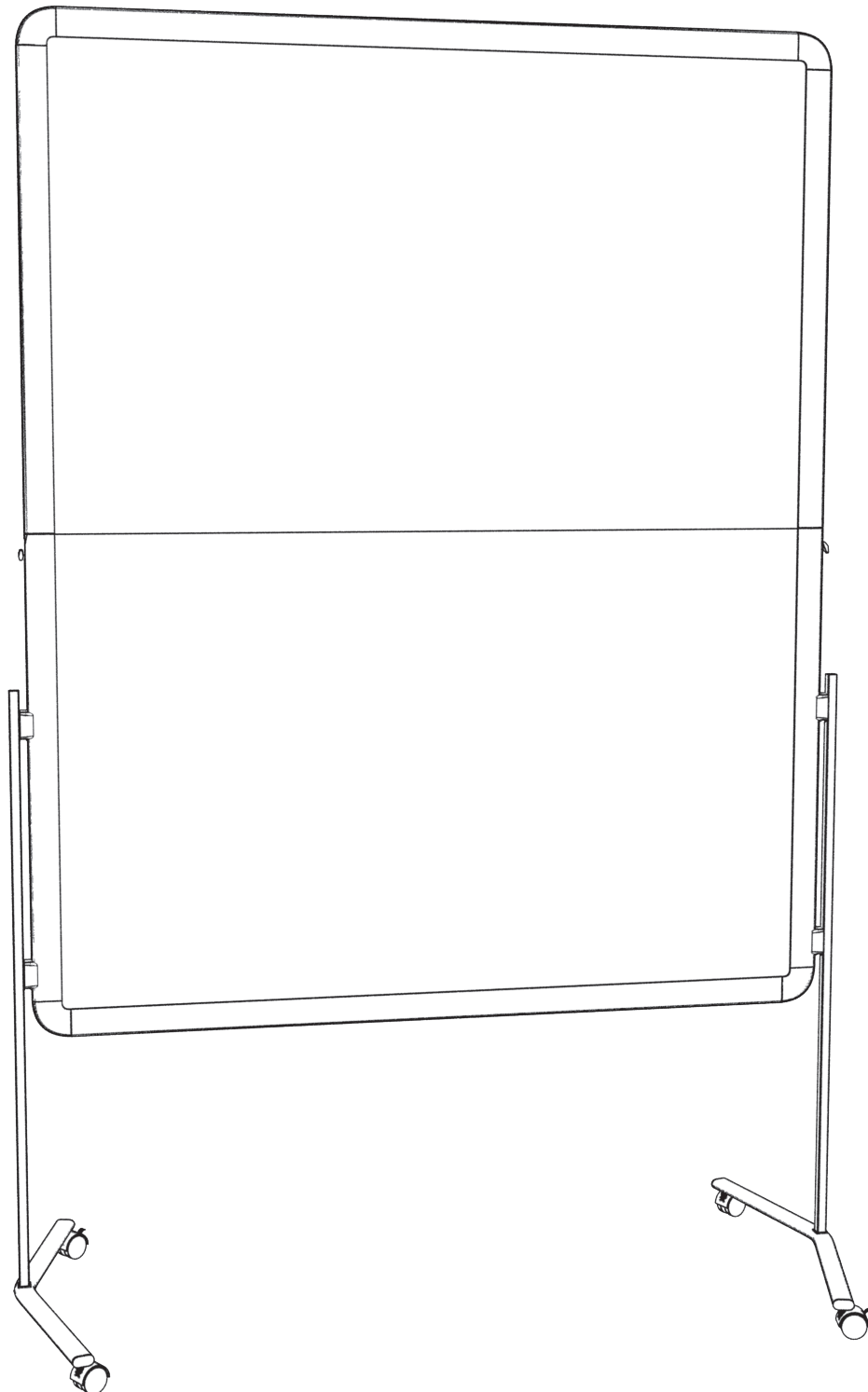
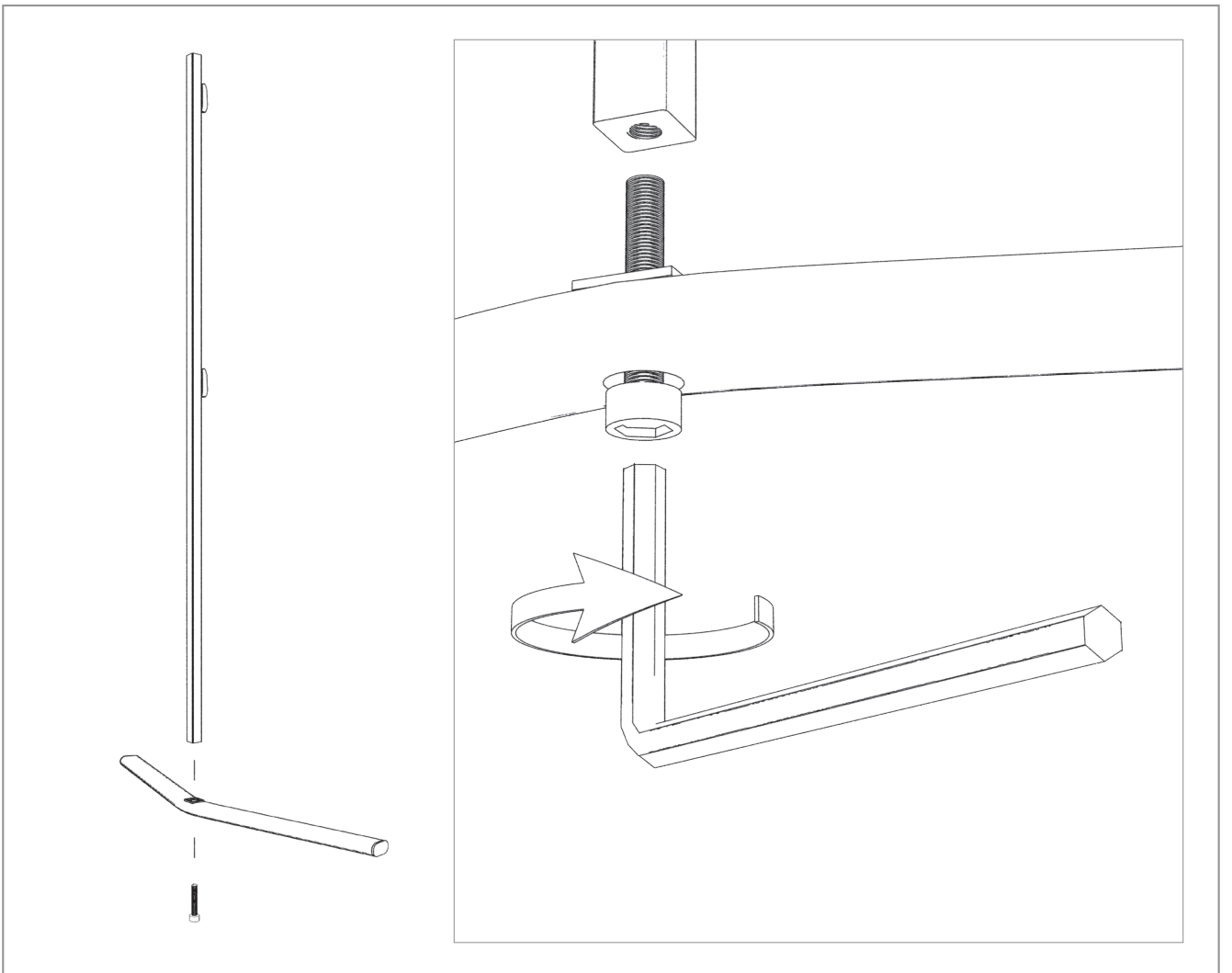
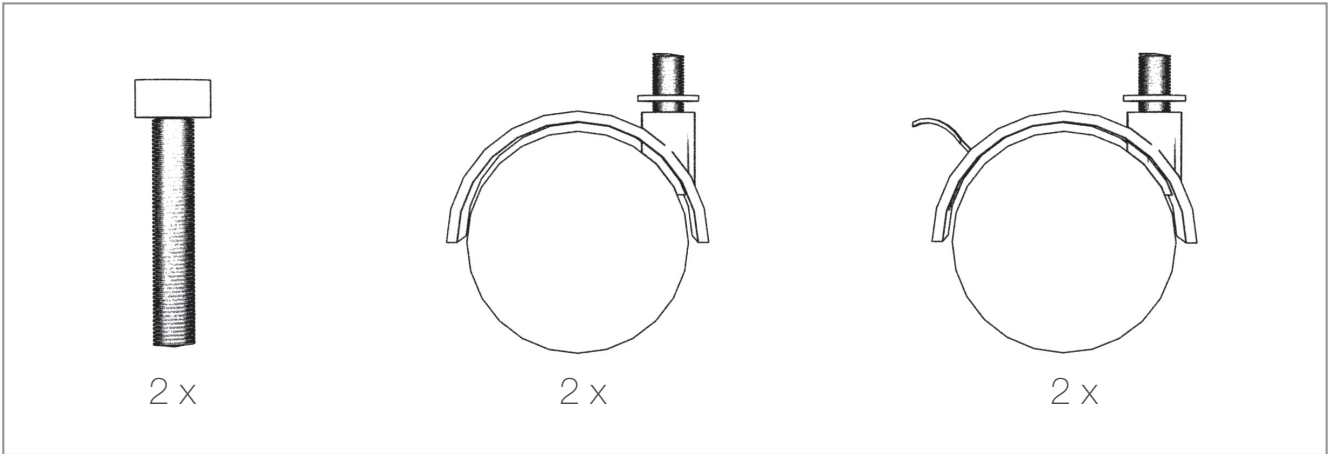
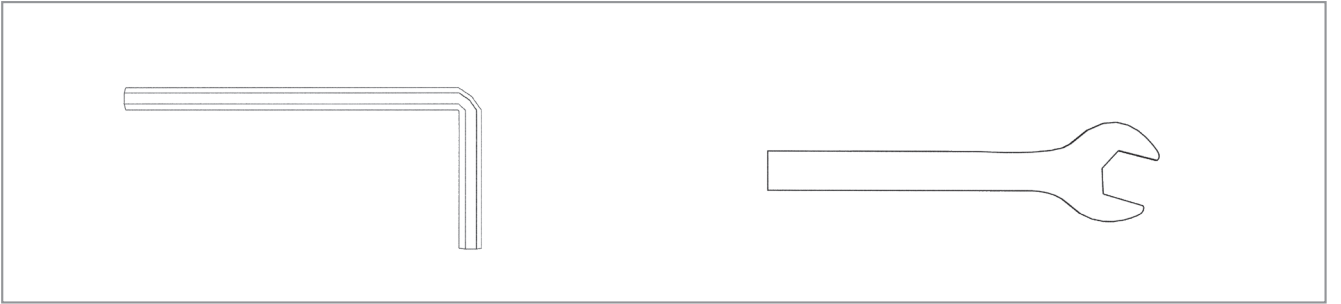
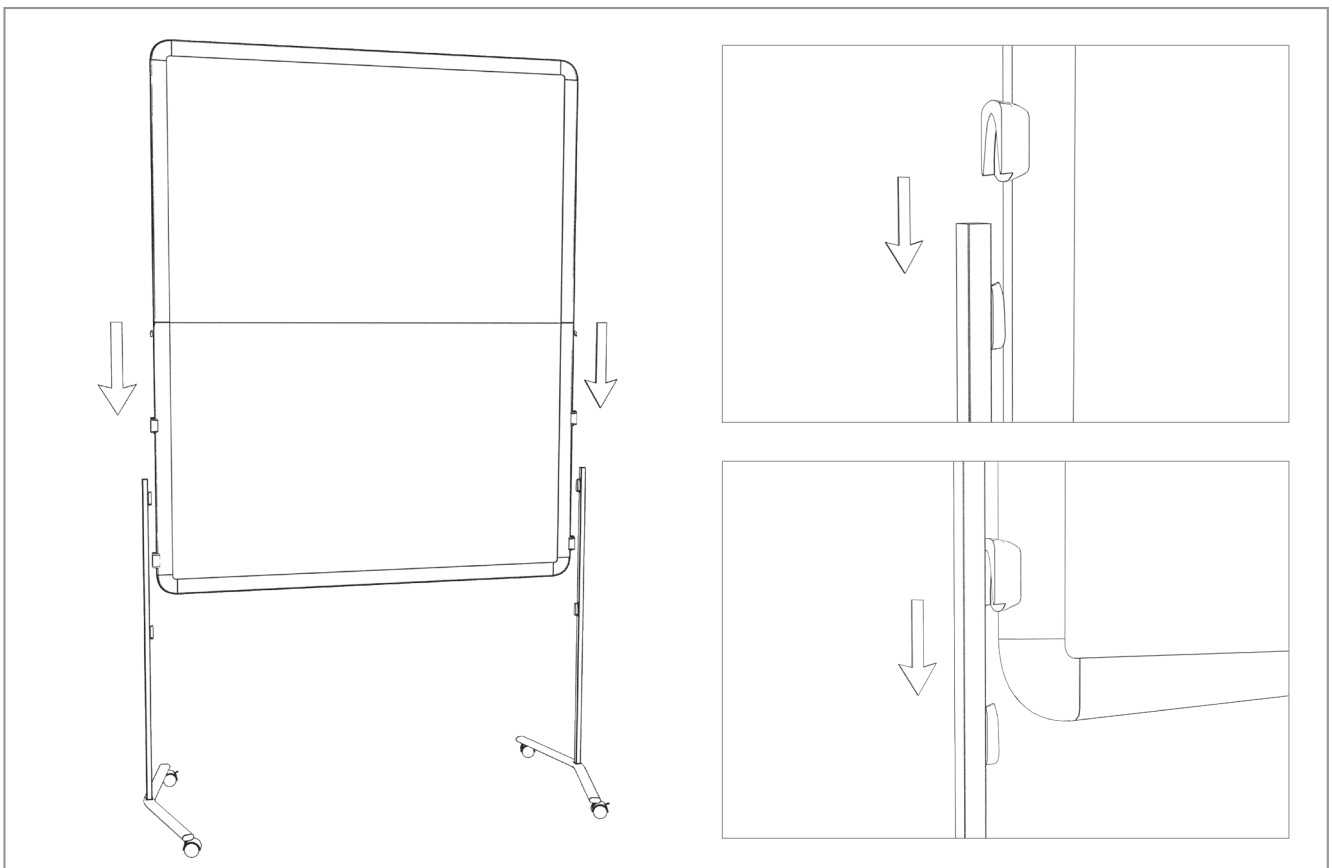
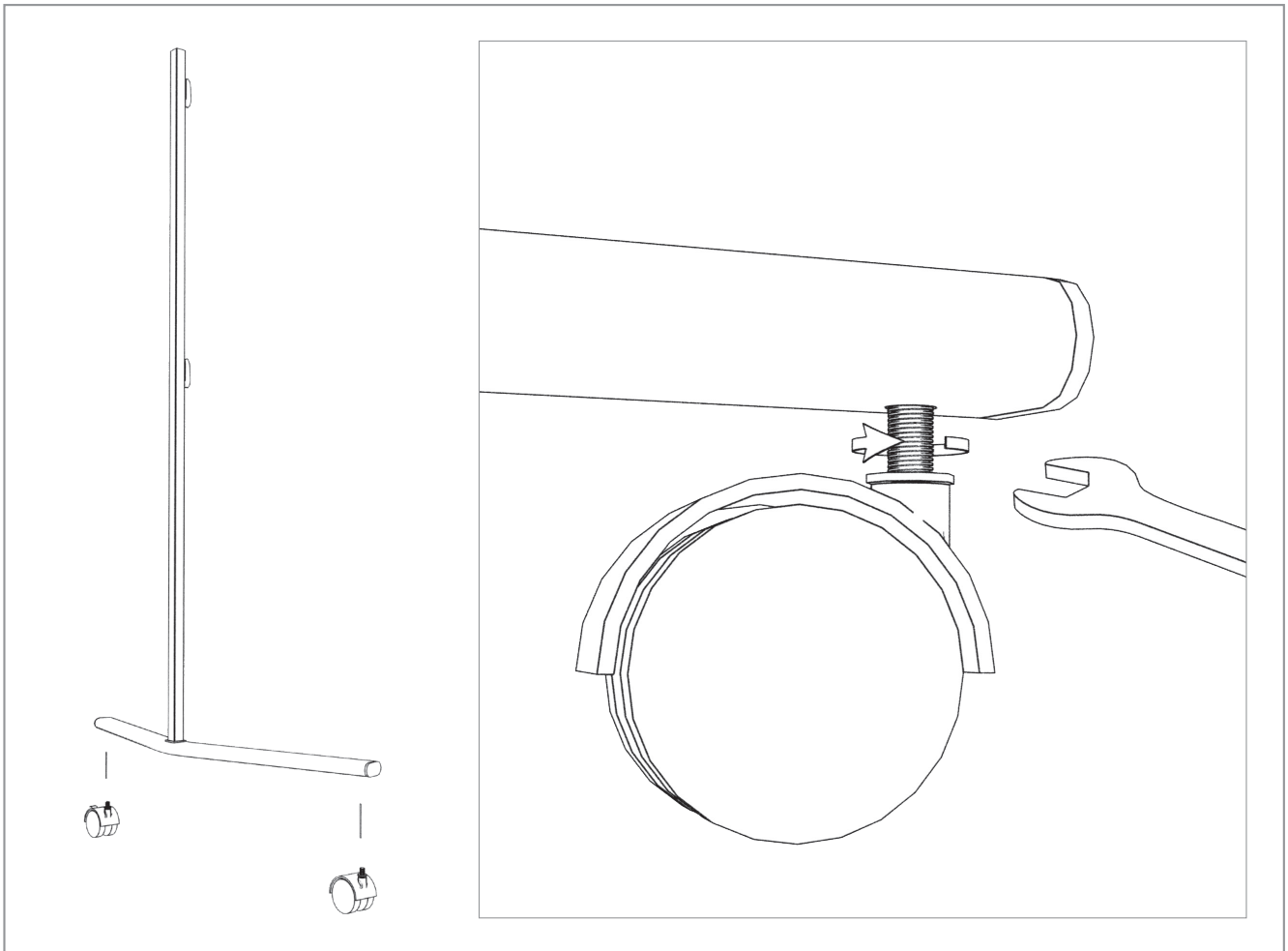


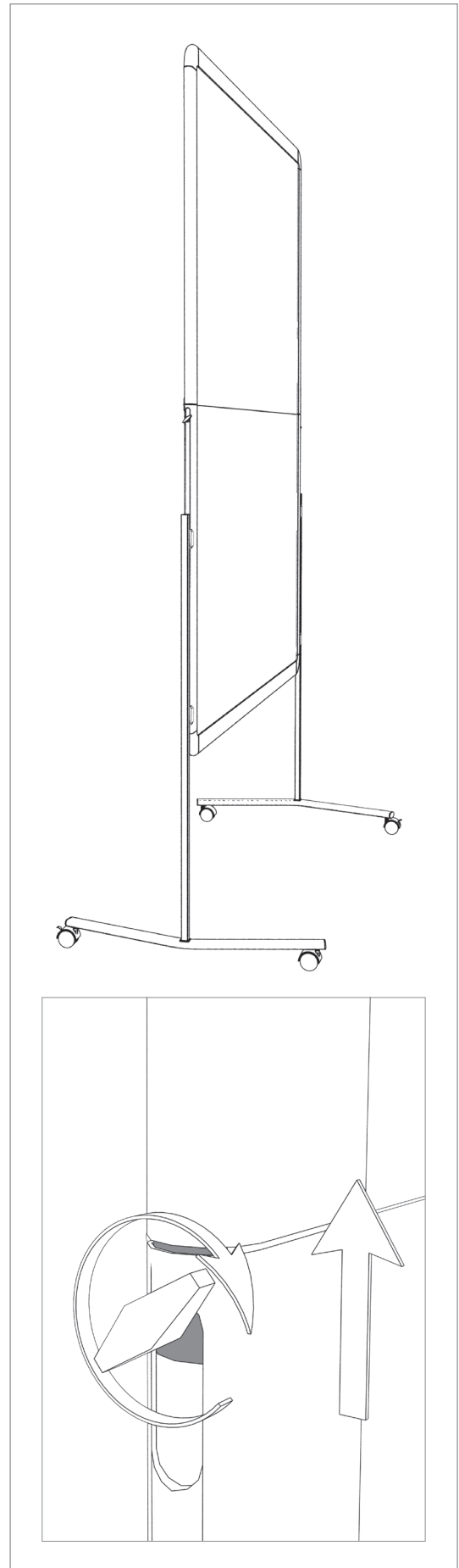
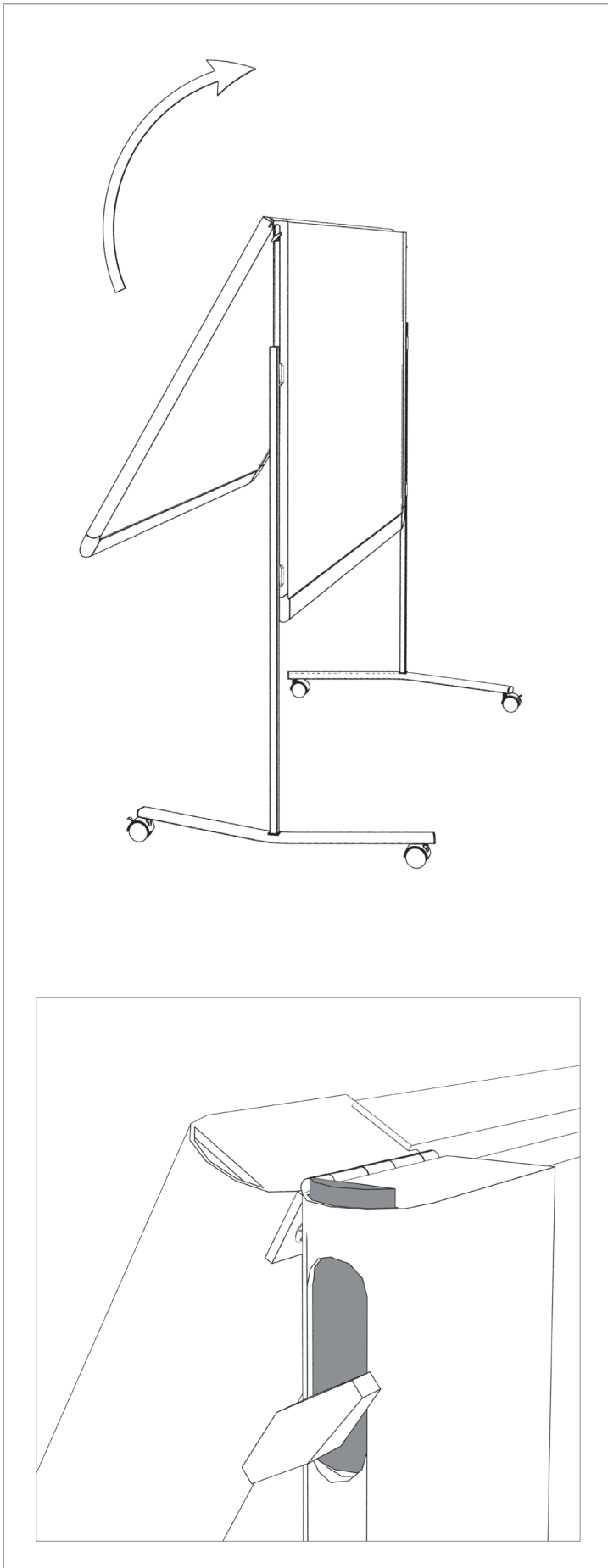
Seminar Boards

with white frame, foldable









HOLTZ OFFICE SUPPORT | Berta-Cramer-Ring 14-16 | 65205 Wiesbaden | Germany | Tel.: +49 (0) 6122 709 0 | Email: info@magnetoplan.de