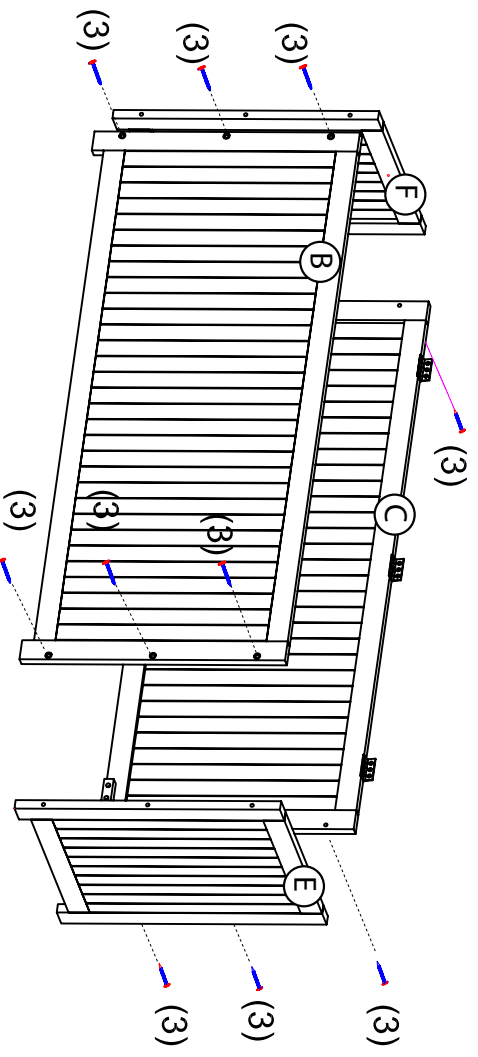


# Montageanleitung / Assembly Instruction - Art. - Nr. : 965022

- (A)- x 01
- (B)- x 01
- (C)- x 01
- (D)- x 01
- (E)- x 01
- (F)- x 01
- (G)- x 01

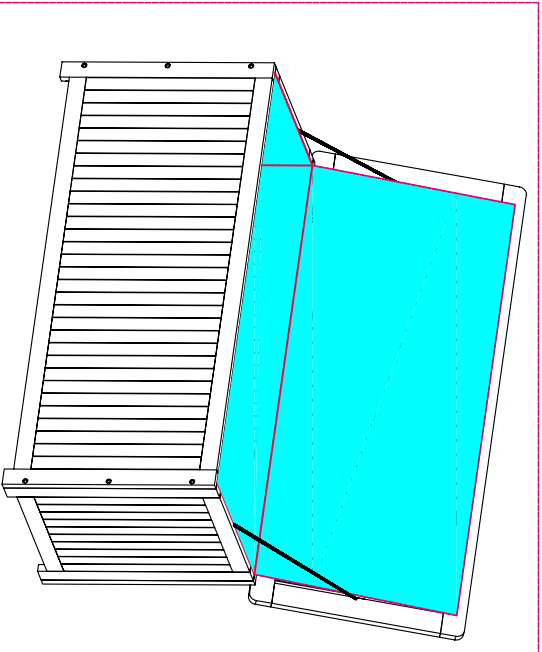
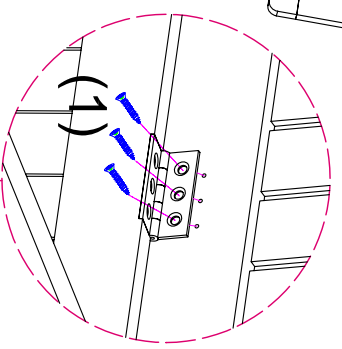
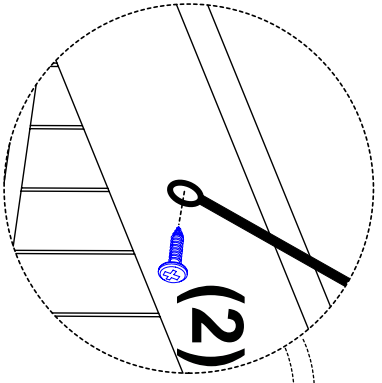
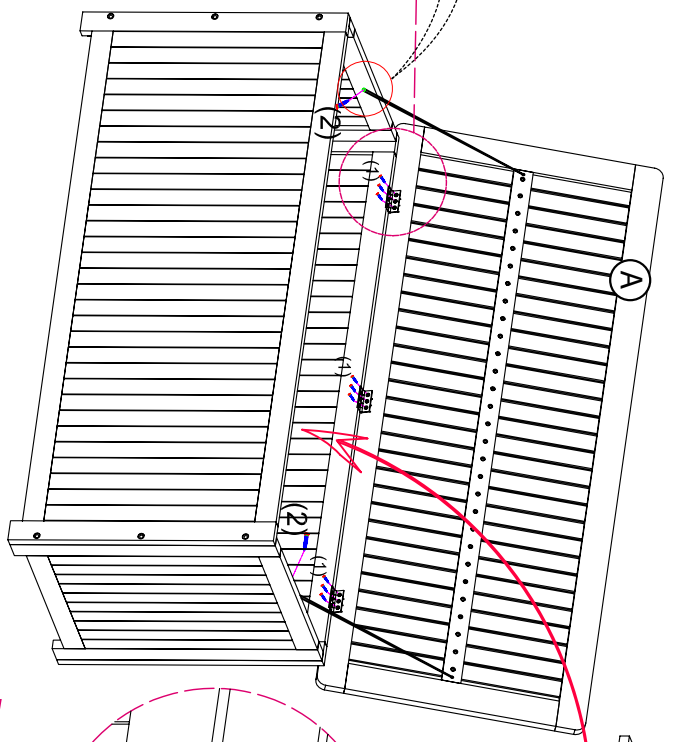


(1) M4 x 15mm x 09

(2) M4 x 15mm x 02

(3) M6 x 50mm x 12

(4) M4 x 80mm x 02



Hergestellt für: Harms Import & Vertriebs GmbH & Co. KG